

Product Data Sheet

PPGT Extension Modules for the SmartArc PPG Series Electric Wire Arc Spray Gun

SmartArc™ PPGT series extension modules are cost effective accessories designed to increase the functionality of SmartArc PPG Electric Wire Arc Spray Guns, by permitting coating of interior bore diameters and surfaces

1 General Description

Metco PPGT extension modules are of rugged and sturdy construction. They are easily and quickly mounted and removed through replacement of the SmartArc PPG front gun body.

PPGT extension modules are available with a 90° spray angle and two lengths and spray angles. Each is factory-configured to spray 1.6 mm (14 gauge) hard and cored arc wires. Using optional hardware, the modules can be configured to spray soft arc wires.

Model	Item No.	Length	Spray Angle
PPGT-190	1002297	305 mm (1 ft)	90°
PPGT-290	1002298	610 mm (2 ft)	90°

Using specific gun hardware designed to provide maximum performance, operators will appreciate the simple maintenance and operation, which is similar to that of the PPG guns.

Using specific gun hardware designed to provide maximum performance, operators will appreciate the simple maintenance and operation, which is similar to that of the PPG guns.

SmartArc PPGT extension modules utilize a specially engineered air cap that produces relatively smooth coatings with less porosity than is usually associated with an electric arc wire right-angled spraying process. A unique atomizing configuration results in a tighter spray pattern, which improves coating quality.

2 Features and Benefits

- Cost effectively extends the capability of an existing Metco SmartArc PPG gun.
- Rugged design is built for long service life with limited maintenance.
- Superior coating quality compared to other wire arc extensions.
- Operation and maintenance is simple.
- Versatile use with hard, cored or soft electric arc wires; even wires with low column strengths.
- Full power capability and may be used at all SmartArc system power levels.



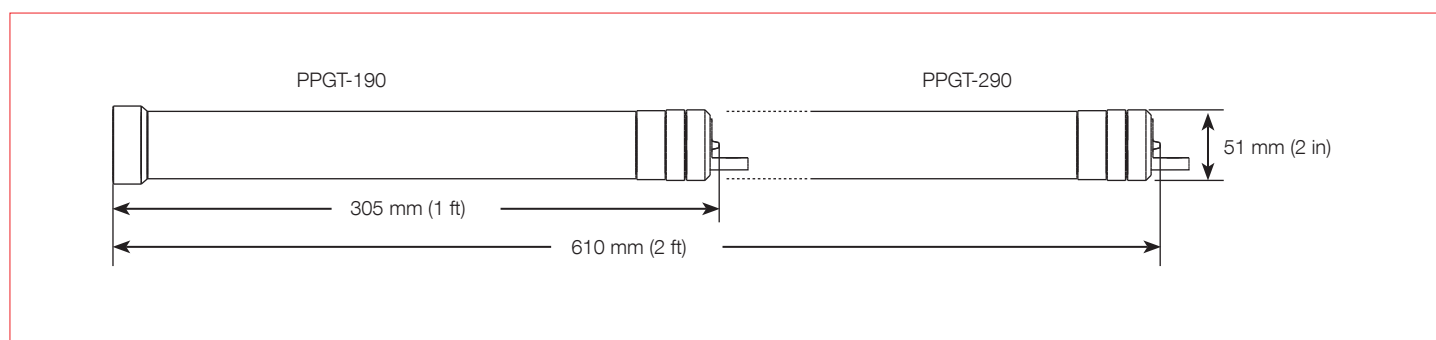
3 Accessories and Options

Oerlikon Metco offers a variety of options that allow configuration of the PPGT extension modules for use with hard and soft electric arc wires.

For a complete list of optional and spare parts, please refer to the parts lists section of the reference manual.

4 Technical Data

4.1 Dimensions



4.2 Specifications

Wire Compatibility

Size	1.6 mm	14 gauge (AWG)
Type	Standard, factory configuration: Optional, hardware available:	Hard wires and cored wires Soft wires

Air Caps

PPGT-190	90° air cap
PPGT-290	90° air cap

Information is subject to change without prior notice.