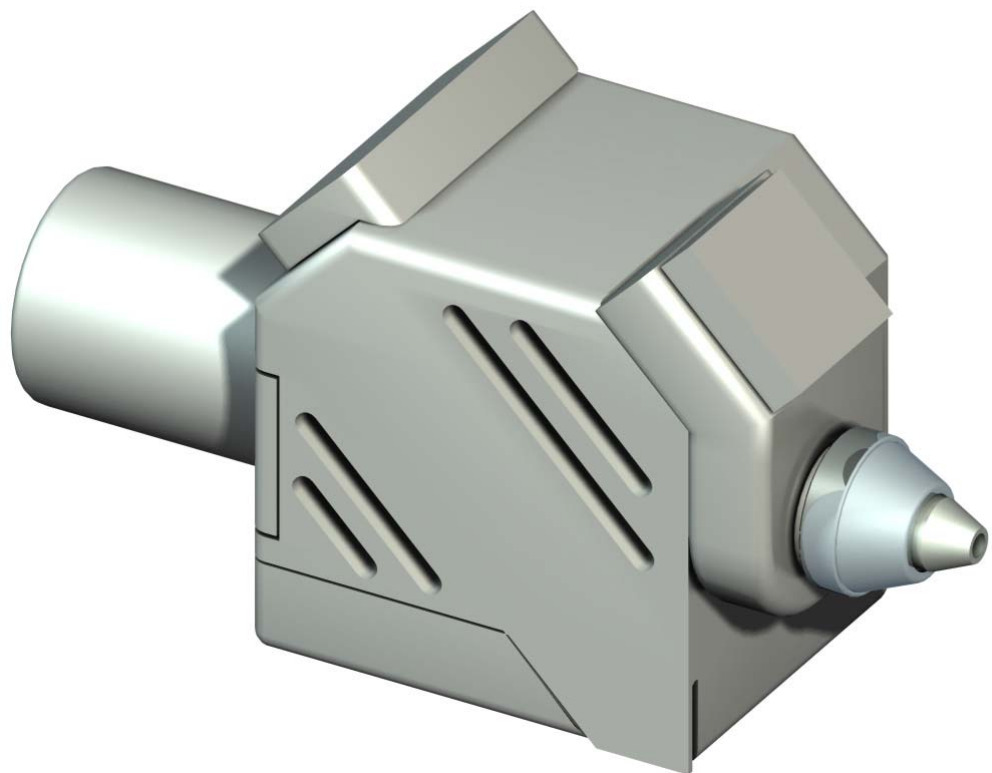


EGD-K Spray Gun Wire Combustion


Parts List
PL 40094 EN 16




Oerlikon Metco Switzerland

Rigackerstrasse 16

CH-5610 Wohlen

 +41 56 618 81 81

 +41 56 618 81 00

www.oerlikon.com/metco

Spare Parts Categories

C = Consumable Parts

Parts subjected to major wear during normal operation. These parts require replacement on a regular basis.

Recommended in order to avoid downtimes.

W = Wear Parts

Parts used for maintenance service. These parts are likely and expected to wear out during the life of the product.

Wear parts are not subject to warranty.

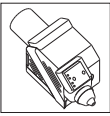
K = Critical Parts

Parts recommended in order to guarantee maximum availability of component. This prevents downtime caused by delay in procurement.



Warranty Disclaimer

Installing non-Oerlikon Metco spare parts on Oerlikon Metco equipment voids the product warranty.



1 List of Recommended Spare Parts

1.1 Housing

Designation	Qty.	Cat.	Old Art. no.	Art. no.
Deep groove ball bearing 6002-2RS1	1	W	30050	1005423
Radial seal D15/26x7	1	W	30010	1087463
Gear wheel drive complete 1/8"	1	W	27660	1002675
Gear wheel drive complete 3/16"	1	W	--	1062143
Measuring roll complete 1/8"	1	W	27669	1002676
Measuring roll complete 3/16"	1	W	--	1062144
Seal ring D30xd16	1	W	29970	1087459
Bearing 3200 ATN9	1	W	30070	1002705
Metal bellows coupling 4/4 mm	1	W	27520	1101423
Speed sensor ROD 424M-2000	1	W	30760	1002711
Clamping claw ROD 400M	3	W	30770	--
Motor RS240B+TB206R1100	1	W	27131 / 49750	1020463
Deep groove ball bearing 6000-2RS1	3	W	30040	1005424
Wire guide 1/8"	1	W	30200	1002710
Radial seal D10/19x7	1	W	30000	1087462

1.2 Base Assembly

Designation	Qty.	Cat.	Old Art. no.	Art. no.
Piston ring 32 x 40 x 4	1	W	29990	1100771
O-ring 12 x 2 mm	1	W	23600	1008819

1.3 Grip Tension Unit

Designation	Qty.	Cat.	Old Art. no.	Art. no.
Drive roll unit complete 1/8"	2	W	27653	1002674
Drive roll unit complete 3/16"	2	W	--	1062140
Bearing complete	1	W	27819	1037197

1.4 Gas Head

Designation	Qty.	Cat.	Old Art. no.	Art. no.
O-ring 11.50-1.50	3	K	31590	1002713
Metco nipple 1/4NPT, 3/4 UNF	1	W	29080	1038575
Metco nipple 1/4NPT, 9/16 UNF	1	W	28000	1038576
Metco nipple 1/4NPT, G1/2L	1	W	27400	1038577
Adapter ring	1	K	33092	1001967

1.5 Siphon Plug Assembly

Designation	Qty.	Cat.	Old Art. no.	Art. no.
Siphon plug assembly jetted, 1/8", acetylene - complete	1	W	5K-200-2	1001109
Wire guide 3/16" - 1/8"	1	W	5K632	1001121
Siphon plug	1	W	12E-2-5	1000259
O-ring (pkg. of 10)	4	W	PEM11E-14	1002913
Nozzle 1/8"	1	W	12E-7-48	1000290
Nozzle O-ring	1	W	PEM-11E-109	1002912
Nozzle O-ring	1	W	PEM-11E-108	1002911
Cleaning set nozzle	1	K	4E-114	1000817

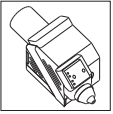
1.6 Tools and Miscellaneous

Designation	Qty.	Cat.	Old Art. no.	Art. no.
Gear oil SAE 80 W	1	K	--	--
Tool	1	K	30960	1016450
Valvelube	1	K	4E-11	1000816
Sealing material	1	K	--	--

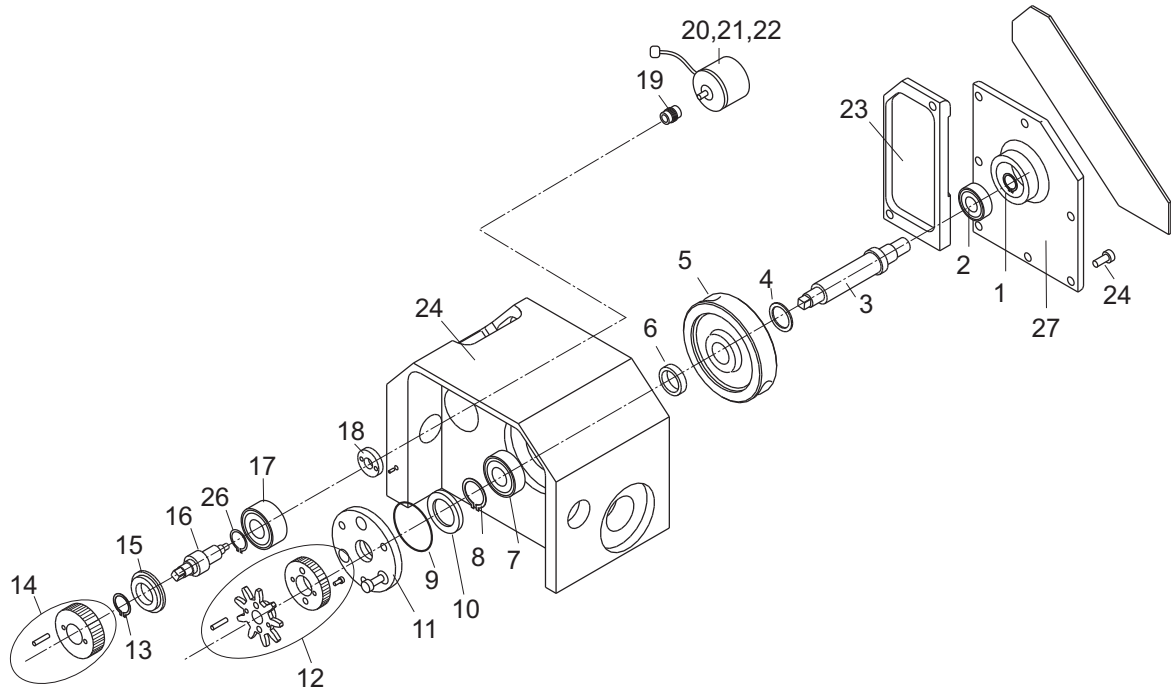
1.7 Gas hoses

Designation	Qty.	Cat.	Art. No.
Acetylene gas hose 5 m	1	W	1300665
Acetylene gas hose 8 m	1	W	1300669
Oxygen hose 5 m	1	W	1300666
Oxygen hose 8 m	1	W	1300670
Air hose atomizer 5 m	1	W	1300667
Air hose atomizer 8 m	1	W	1300671
Air hose grip tension 5 m	1	W	1300668
Air hose grip tension 8 m	1	W	1300672
Hose Set 3 m	1	W	2261884
Acetylene gas hose 3 m	1	W	2261816
Oxygen hose 3 m	1	W	2261879
Air hose atomizer 3 m	1	W	2261880
Air hose grip tension 3 m	1	W	2261882

2 Parts List



2.1 Housing (Drawing no. H-1C-902620 for 1/8" wire) (Drawing no. H-1P-321752 for 3/16" wire)

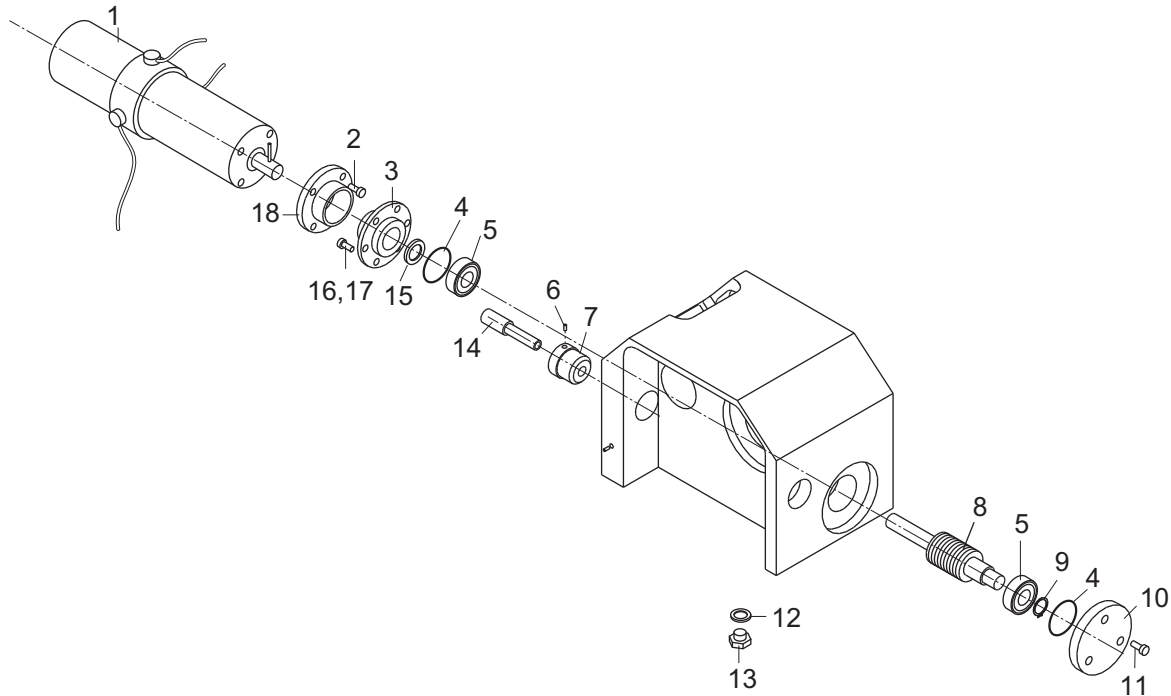
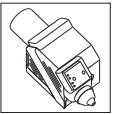


Pos.	Designation	Qty.	Old Art. no.	Art. no.
1	Retaining ring Ø10	1	30390	--
2	Deep groove ball bearing	3	30040 / 97984	1005424
3	Shaft for worm wheel	1	30270 / 97954	1087451
4	Spacer D21/d15.2-1	1	29950 / 97993	1100996
5	Worm wheel for 1/8" LOW SPEED	1	29910	1002691
	Worm wheel for 3/16" HIGH SPEED	1	--	1062138
6	Spacer sleeve D21/15.2-5	1	29960	1101013
7	Deep groove ball bearing 6002-2RS1	1	30050 / 97983	1005423
8	Retaining ring Ø15 x 1	1	30580	1003279
9	O-ring 32x2 mm	1	30860 / 97892	1087461
10	Radial seal D15/26x7	1	30010 / 97987	1087463
11	Cover drive	1	29880 / 97990	--
12	Gear wheel drive complete 1/8"	1	27660	1002675
	Gear wheel drive complete 3/16"	1	--	1062143
13	Retaining ring Ø16x1	1	30750	--
14	Measuring roll complete 1/8"	1	27669	1002676
	Measuring roll complete 3/16"	1	--	1062144
15	Seal ring D30xd16	1	29970 / 97991	1087459

Continued next page

16	Measuring shaft	1	30130	1002708
17	Bearing 3200 ATN9	1	30070	1002705
18	2-Hole Clamping Nut M6	1	29980	1101006
19	Metal bellows coupling 4/4 mm	1	27520	1101423
20	Speed sensor ROD 424M-2000 (encoder)	1	30760	1002711
21	Clamping claw ROD 400M	3	30770	--
22	Fillister head screw M2 x 8	1	43710	--
23	Cover	1	30740	--
24	Housing	1	30820	--
25	Hexagon socket fillister head screw M4 x 12	8	--	--
26	Retaining ring 30 x 1.2	1	97924	--
27	Gear cover assembly	1	30750	--

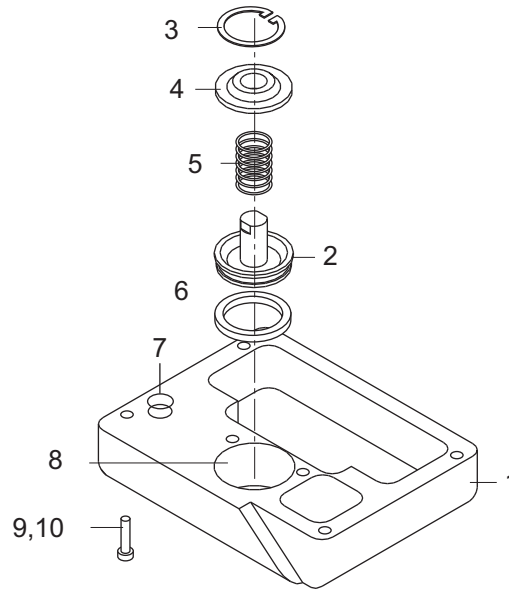
Continued next page



Pos.	Designation	Qty.	Old Art. no.	Art. no.
1	Motor RS240B+TB206R1100	1	27131 / 49750	1020463
2	Hexagon socket fillister head screw M4 x 10	7	30350	--
3	Motor adapter II	1	30260	1100595
4	O-ring 23 x 2 mm	2	30870	1087460
5	Deep groove ball bearing	3	30040	1005424
6	Hexagon socket headless setscrew M4 x 5	2	31650	--
7	Wire guide adapter	1	30190	1100597
8	Shaft for 1/8" LOW SPEED	1	29920	1002692
	Shaft for 3/16" HIGH SPEED	1	--	1062135
9	Retaining ring Ø10x1	1	30390	1100657
10	Cover drive	1	29930	--
11	Screw M4 x 8	2	30360	--
12	Seal ring to position	10	23060	--
13	Screw plug G 1/8"	1	24290	--
14	Wire guide	1	30200	1002710
15	Radial seal D10/19x7	1	30000	1087462
16	Hexagon socket fillister head screw M4 x 10	3	30350	--
17	Motor adapter	1	30250	1100599

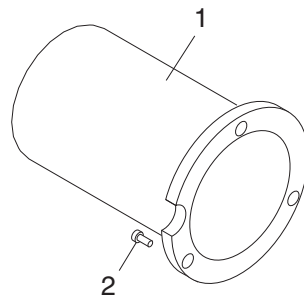
PL 40094 EN 16 Released on: 10/14/2020

2.2 Base Assembly (Drawing no. H-3C-902650)



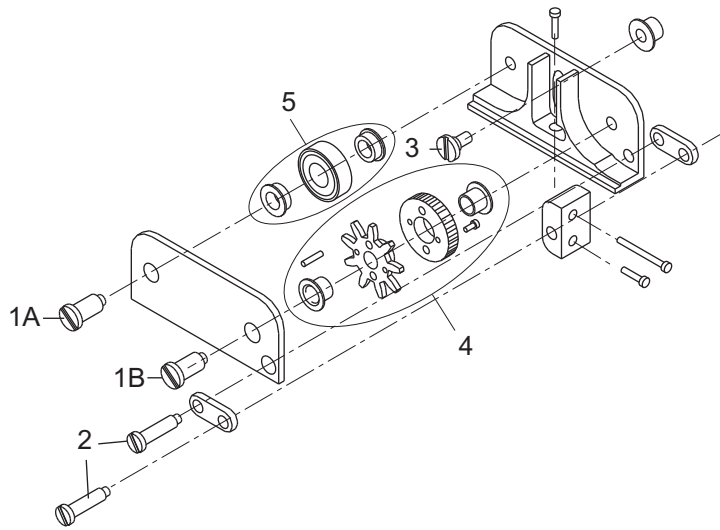
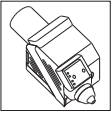
Pos.	Designation	Qty.	Old Art. no.	Art. no.
1	Cylinder housing	1	30080	1100604
2	Piston	1	30290	1100602
3	Retaining ring Ø45 x 1.75	1	30550	1100658
4	Piston guide	1	30280	1100603
5	Compression spring	1	30680	1100770
6	Piston ring 32 x 40 x 4	1	29990	1100771
7	O-ring 12 x 2 mm	1	23600	1008819
8	Cylinder bushing d16/d14x10	1	30020	1100848
9	Hexagon socket fillister head screw M5 x 30	6	17900	--
10	Spring washer M5	6	30590	1071114

2.3 Cover Motor (Drawing no. H-3C-902707)



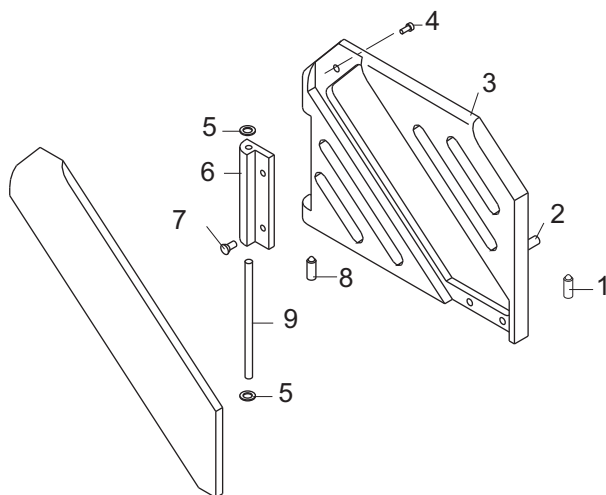
Pos.	Designation	Qty.	Old Art. no.	Art. no.
1	Cover	1	29939	--
2	Hexagon socket fillister head screw M5x10	3	30340	1004507

2.4 Grip Tension Unit (Drawing no. H-2C-902660)



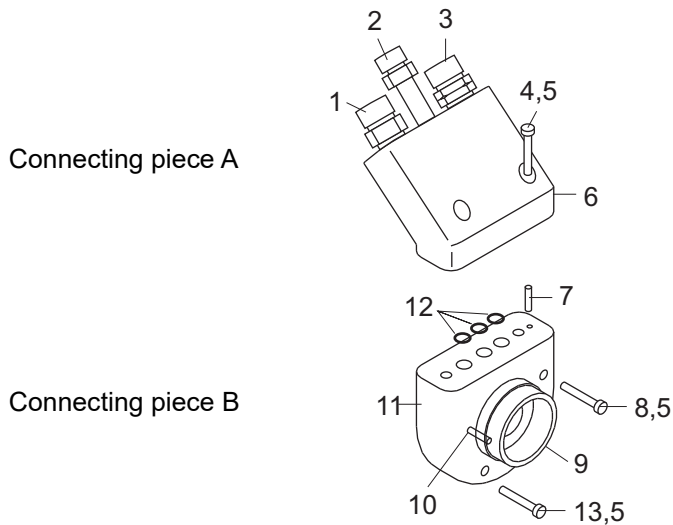
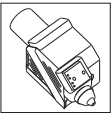
Pos.	Designation	Qty.	Old Art. no.	Art. no.
--	Grip tension unit complete	1	30169	1002709
1A	Screw 10-17-M6	1	27780	1037593
1B	Screw 10-17-M6	1	27770	1002677
2	Screw 7-25-M5	2	27790	1037918
3	Screw 8-5-M6	1	27800	1069070
4	Drive roll unit complete 1/8"	1	27653	1002674
	Drive roll unit complete 3/16"	1	--	1062140
5	Bearing complete	1	27819	1037197

2.5 Door (Drawing no. H-2C-902680)



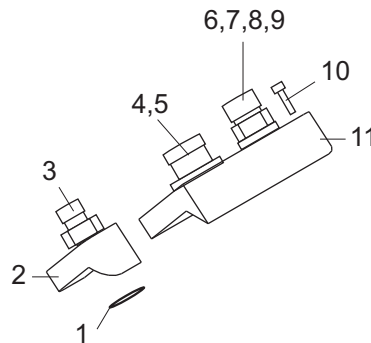
Pos.	Designation	Qty.	Old Art. no.	Art. no.
--	Door unit complete <i>includes pos. 1-9</i>	1	31640	--
1	Elastic pressure piece M8	1	30510	--
2	Hexagon socket head cap screw M5x12	1	30120	1008339
3	Cover	1	29900	--
4	Hexagon socket countersunk head screw M3 x 8	1	--	--
5	Washer	1	29870	--
6	Door latch	1	29890	--
7	Hexagon socket countersunk head screw M4 x 8	2	--	--
8	Hexagon socket headless setscrew M5 x 5	1	30402	--
9	Brass bolt Ø4x79	1	30461	--

2.6 Gas Head (Drawing no. H-2C-902690)



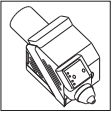
Pos.	Designation	Qty.	Old Art. no.	Art. no.
--	Connecting piece A <i>includes pos. 1-7</i>	1	30100	1002707
1	Metco nipple 1/4NPT, 3/4 UNF	1	29080	1038575
2	Metco nipple 1/4NPT, 9/16 UNF	1	28000	1038576
3	Metco nipple 1/4NPT, G1/2L	1	27400	1038577
4	Hexagon socket fillister head screw M6 x 25	1	--	--
5	Spring washer M6	1	--	--
6	Adapter	1	--	--
7	Pin 5x16	1	--	--
--	Connecting piece B <i>includes pos. 5, 8-13</i>	1	30090	1002706
5	Spring washer M6	1	--	--
8	Hexagon socket fillister head screw M6 x 35	1	--	--
9	Adapter ring	1	33092	1001967
10	Pin 5 x 16	1	--	--
11	Body	1	--	--
12	O-ring 11.5 x 1.5 mm	3	31590	1002713
13	Hexagon socket fillister head screw M6 x 45	1	--	--

2.7 Connection (Drawing no. H-2C-902700)

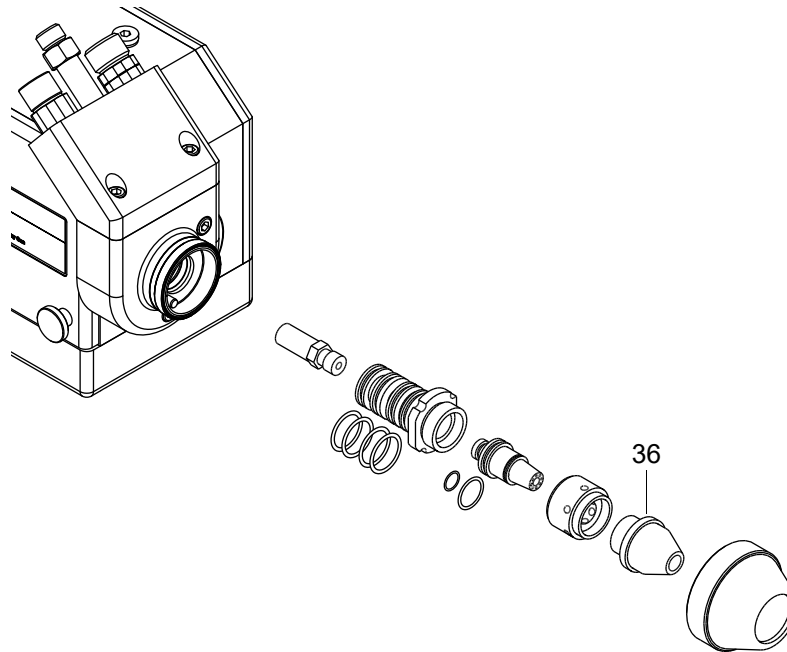


Pos.	Designation	Qty.	Old Art. no.	Art. no.
--	Air connection complete <i>includes pos. 1-3</i>	1	30689	--
1	O-ring 12 x 1.5	1	22900	--
2	Air connection	1	30690	--
3	Metco nipple R1/4, 3/8 UNF	1	23360	--
--	Electro-connection complete <i>includes pos. 4-5, 10-11</i>	2	30699	--
4	Flange 12-polig	1	26280	--
5	Fillister head screw M5x8	4	30720	--
10	Hexagon socket fillister head screw M3x12	6	30600	--
11	Electrical connection	1	30700	--
--	Socket complete <i>includes pos. 6-9</i>	1	39710	--
6	Housing R15, 09 15 0000 121	1	--	--
7	Insert R15 mSti-C, 09 15 0073 021	3	--	--
8	Pin R15, 09 15 0006 124	1	--	--
9	Pin R15, 09 15 0006 101	1	--	--

2.8 Siphon Plug and Related Parts

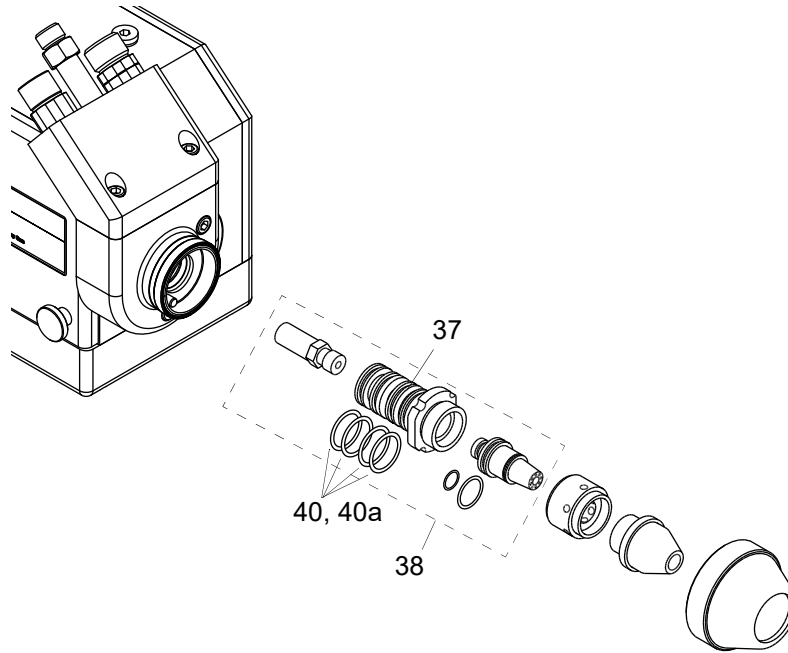


2.8.1 Air Caps



Pos.	Designation	Old Art. no.	Art. no.
Air Caps "Standard"			
Standard with EGD-K			
36a	EC 1/8"	5K3-EC	1001570
36b	C 1/8" (bond coat)	5K3-C	1002413
36c	EA 3/16"	5K3-EA	1000666
Optional			
36d	J 11 Ga. / 15 Ga.	5K3-J	1000835
36e	M 15 Ga.	5K3-M	1000836
36f	AM 3/16" MPS	5K3-AM	1000663
Air Caps "non-load" (optional)			
36g	CHnon-load 1/8"	5K3-CH	1000664
36h	AH non-load 3/16"	5K3-AH	1000662
36i	JH non-load 11 Ga.	5K3-JH	1000667
36j	MH non-load 15 Ga.	5K3-MH	1000668
36l	CHMnon-load 1/8" MPS	5K3-CHM	1000665
Air Caps "Fan Spray" (optional)			
36m	AB Fan Spray 3/16"	5K4-AB	1002414
36n	CD Fan Spray 1/8"	5K4-CD	1000841

2.8.2 Siphon Plugs



Pos.	Designation	Qty.	Old Art. no.	Art. no.
40	Siphon plug O-ring (pkg of 4)	4	5K14	1000143
40a	O-ring (pkg of 10)	1	PEM11E-14	1002913
--	Reseal kit (O-rings siphon plug, nozzle) <i>includes Pos. 40, 41, 42</i>	1	5K590	1000152

Siphon Plugs

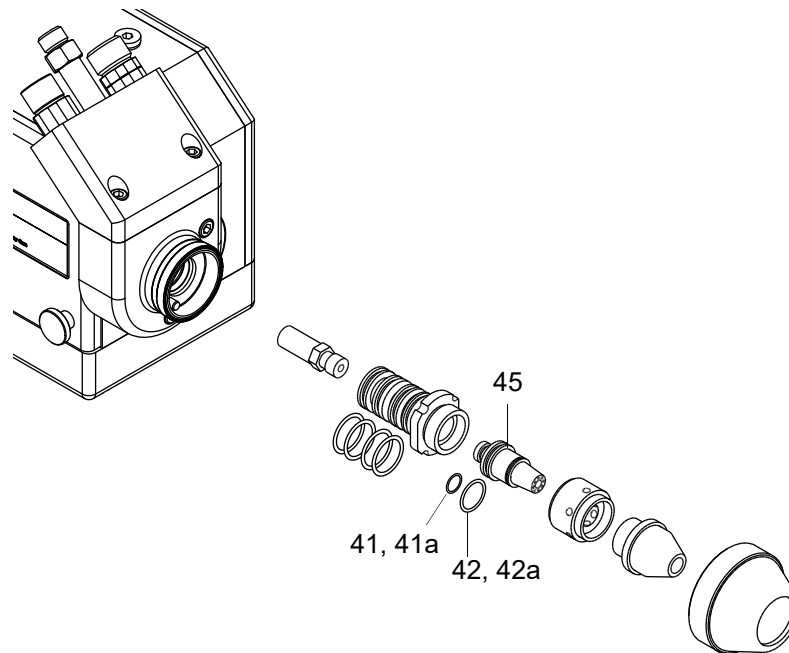
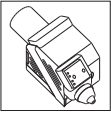
Standard with EGD-K

37a	Siphon plug large gauge - Acetylene <i>includes Pos. 40</i>	1	5K2-5	1000259
Optional				
37b	Siphon plug large gauge - Propane/MPS <i>includes Pos. 40</i>		5K2-6	1000260
37c	Siphon plug small gauge - Acetylene <i>includes Pos. 40</i>		5K2-7	1000261
37d	Siphon plug small gauge - Propane/MPS <i>includes Pos. 40</i>		5K2-8	1000262

Siphon Plug Assemblies (optional)

38a	Siphon plug assembly 3/16" Acetylene <i>includes:</i>		5K200-1	1001108
37a	Siphon plug large gauge - Acetylene <i>includes Pos. 40</i>		5K2-5	1000259
44	Nozzle nut		5K606	1000270
45a	Nozzle assembly 3/16" Acetylene		5K7-42	1000285
46a	Front wire guide 3/16" - 1/8"		5K632	1001121
38b	Siphon plug assembly 1/8" Acetylene <i>includes:</i>		5K200-2	1001109
37a	Siphon plug large gauge - Acetylene <i>includes Pos. 40</i>		5K2-5	1000259
44	Nozzle nut		5K606	1000270
45b	Nozzle assembly 1/8" Acetylene		5K7-48	1000290
46b	Front wire guide 1/8" - 11 Ga.		5K633	1001122

2.8.3 Nozzles



Pos.	Designation	Qty.	Old Art. no.	Art. no.
41	O-ring (pkg of 2)	1	5K509	1004714
41a	Nozzle O-ring (pkg of 10)	1	PEM-11E-109	1002912
42	O-ring (pkg of 2)	1	5K508	1000138
42a	Nozzle O-ring (pkg of 10)	1	PEM-11E-108	1002911
--	Reseal kit (O-rings siphon plug, nozzle) includes Pos. 40, 41, 42	1	5K590	1000152

Nozzles

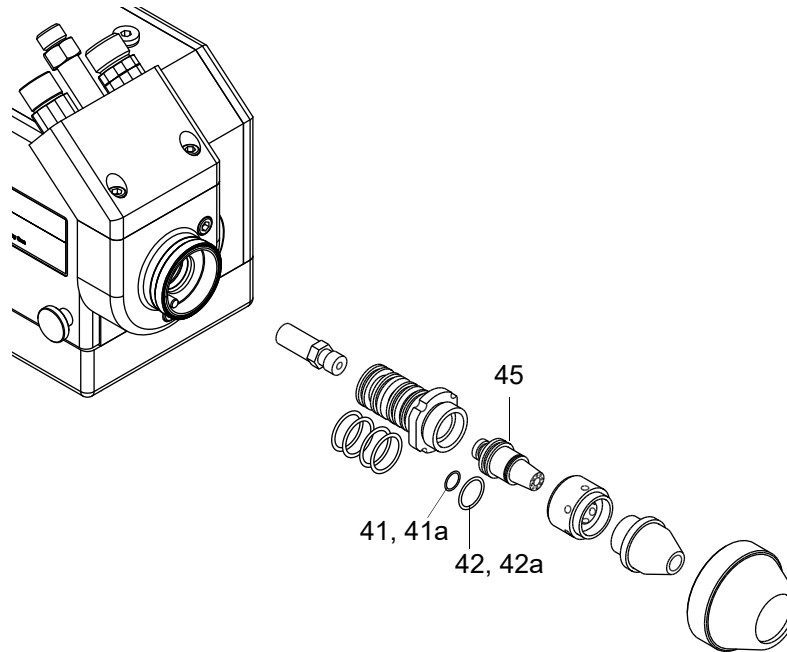
Standard with EGD-K

45a	3/16" Acetylene	1	5K7-42	1000285
45b	1/8" Acetylene	1	5K7-48	1000290

Optional

45c	11 Ga. Acetylene		5K7-35	1000280
45d	15 Ga. Acetylene		5K7-29	1000275
45e	3/16" Propane		5K7-43	1000286
45f	1/8" Propane		5K7-49	1000291
45g	11 Ga. Propane		5K7-37	1000282
45h	15 Ga. Propane		5K7-31	1000277
45i	3/16" MPS		5K7-44	1031129
45j	1/8" MPS		5K7-25	1000272
45k	11 Ga. MPS		5K7-39	1004743
45l	15 Ga. MPS		5K7-33	1000279

Additional nozzles listed on next page

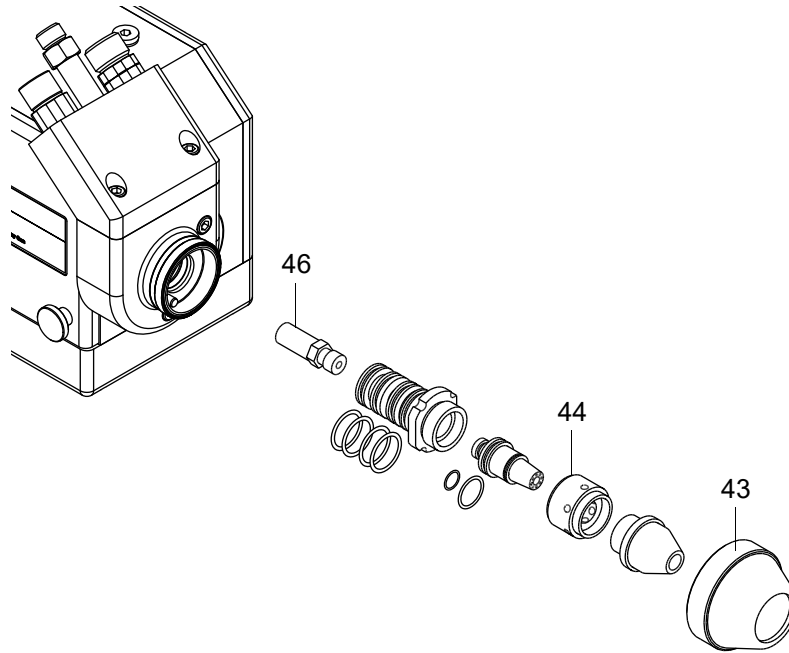
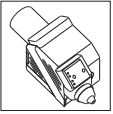


Pos.	Designation	Qty.	Old Art. no.	Art. no.
41	O-ring (pkg of 2)	1	5K509	1004714
41a	Nozzle O-ring (pkg of 10)	1	PEM-11E-109	1002912
42	O-ring (pkg of 2)	1	5K508	1000138
42a	Nozzle O-ring (pkg of 10)	1	PEM-11E-108	1002911
--	Reseal kit (O-rings siphon plug, nozzle) <i>includes Pos. 40, 41, 42</i>	1	5K590	1000152

Nozzles (optional)

45m	3/16" Acetylene (non-load)		5K7-45	1000287
45n	1/8" Acetylene (non-load)		5K7-26	1000273
45o	11 Ga. Acetylene (non-load)		5K7-36	1000281
45p	15 Ga. Acetylene (non-load)		5K7-30	1000276
45q	3/16" Propane (non-load)		5K7-46	1000288
45r	1/8" Propane (non-load)		5K7-27	1000274
45s	11 Ga. Propane (non-load)		5K7-38	1000283
45t	15 Ga. Propane (non-load)		5K7-32	1000278
45u	3/16" MPS (non-load)		5K7-47	1000289
45v	1/8" MPS (non-load)		5K7-28	1031126
45w	11 Ga. MPS (non-load)		5K7-40	1031128
45x	15 Ga. MPS (non-load)		5K7-34	1031127
45y	11 Ga. Sprabond		5K7-41	1000284

2.8.4 Air Cap Body, Nozzle Nut, Front Wire Guides



Pos.	Designation	Qty.	Old Art. no.	Art. no.
43	Air cap body	1	5K701	1000134
44	Nozzle nut	1	5K606	1000270
Front wire guides				
Standard with EGD-K				
46a	Front wire guide 3/16" - 1/8"	1	5K632	1001121
Optional				
46b	Front wire guide 1/8" - 11 Ga.		5K633	1001122
46c	Front wire guide 15 Ga.		5K634	1001123

PL 40094 EN 16 Released on: 10/14/2020

2.9 Gas hoses

Designation	Qty.	Art. No.
Acetylene gas hose 5 m	1	1300665
Acetylene gas hose 8 m	1	1300669
Oxygen hose 5 m	1	1300666
Oxygen hose 8 m	1	1300670
Air hose atomizer 5 m	1	1300667
Air hose atomizer 8 m	1	1300671
Air hose grip tension 5 m	1	1300668
Air hose grip tension 8 m	1	1300672
Hose Set 3 m	1	2261884
Acetylene gas hose 3 m	1	2261816
Oxygen hose 3 m	1	2261879
Air hose atomizer 3 m	1	2261880
Air hose grip tension 3 m	1	2261882