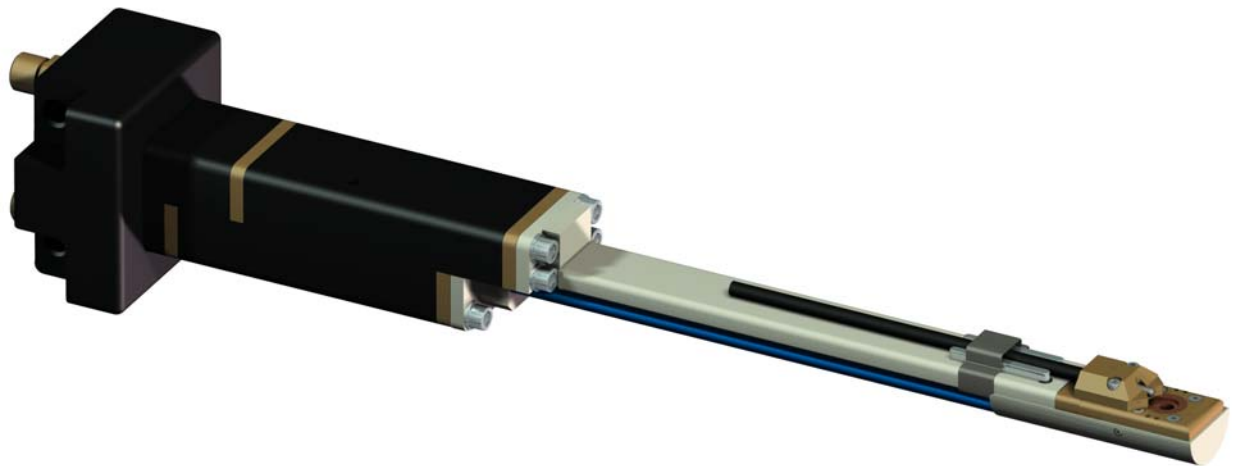


# SM-F300 Spray Gun

## Plasma Spraying


Parts List  
PL 40879 EN 08




Oerlikon Metco Switzerland

Rigackerstrasse 16

CH-5610 Wohlen

 +41 56 618 81 81

 +41 56 618 81 00

[www.oerlikon.com/metco](http://www.oerlikon.com/metco)

## Spare Parts Categories

### **C = Consumable Parts**

Parts subjected to major wear during normal operation. These parts require replacement on a regular basis.

Recommended in order to avoid downtimes.

### **W = Wear Parts**

Parts used for maintenance service. These parts are likely and expected to wear out during the life of the product.

Wear parts are not subject to warranty.

### **K = Critical Parts**

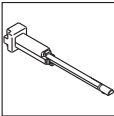
Parts recommended in order to guarantee maximum availability of component. This prevents downtime caused by delay in procurement.



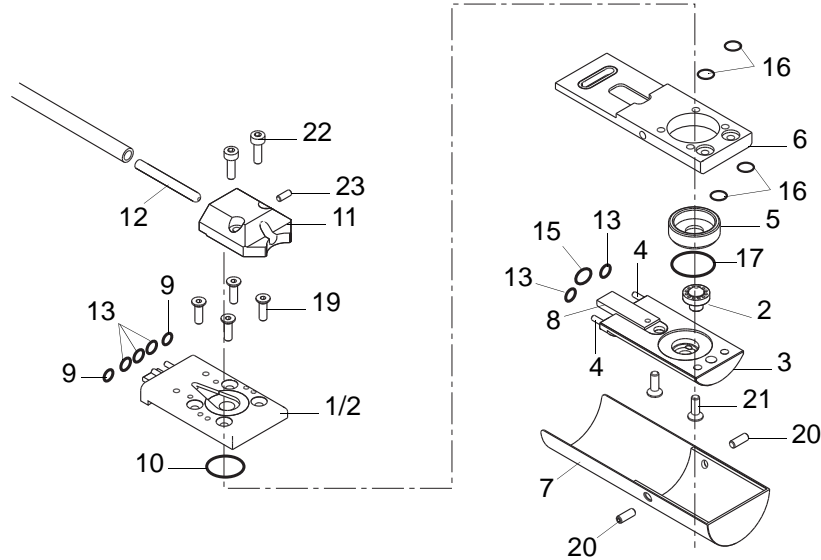
### **Warranty Disclaimer**

Installing non-Oerlikon Metco spare parts on Oerlikon Metco equipment voids the product warranty.

# 1 Parts List for SM-F300 Spray Gun

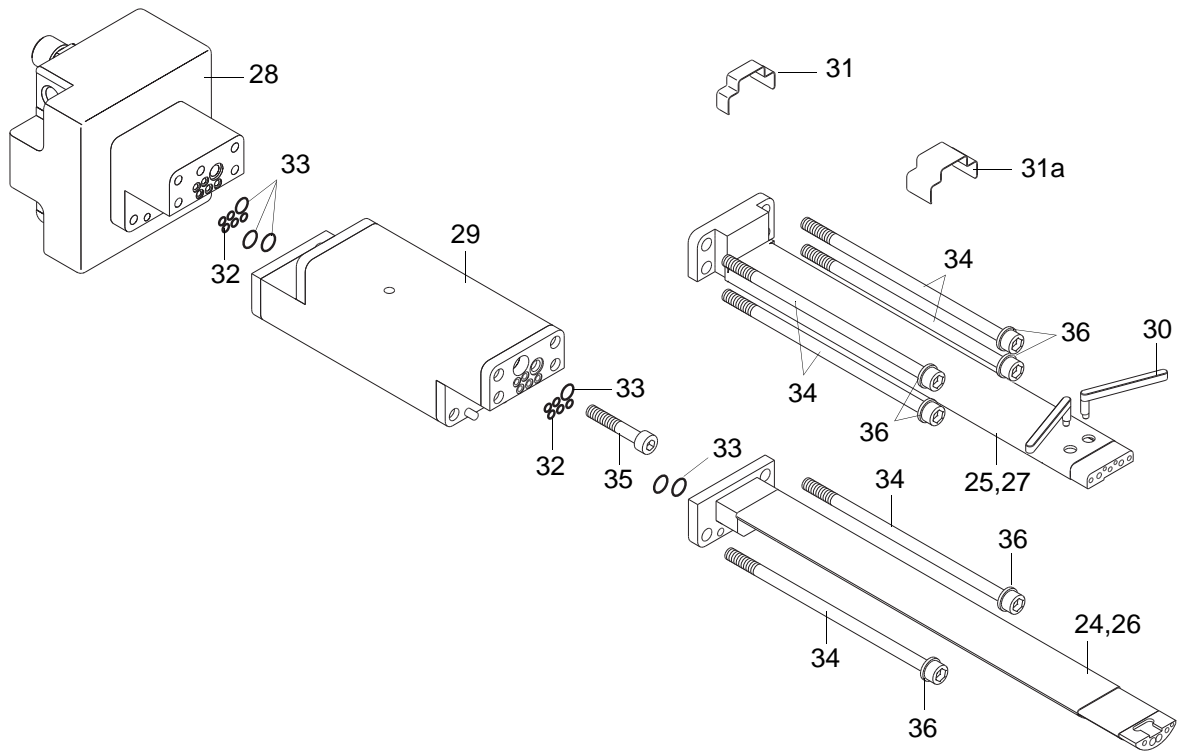


SM-F300 Spray Gun with 250 mm extension (inclusive tools)	1009120
SM-F300 Spray Gun with 450 mm extension (inclusive tools)	1009121



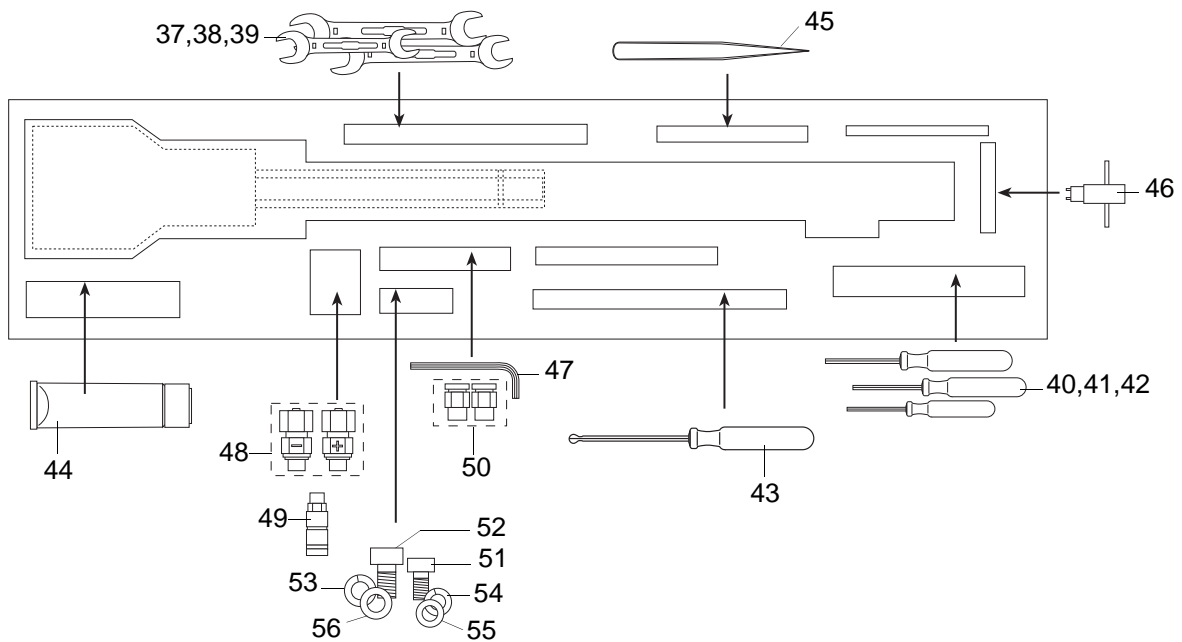
Pos.	Designation	Qty.	Cat.	Art.No.
1	Nozzle plate F300 shroud complete or	1	C	1009126
2	Nozzle plate F300 +20° complete	1	C	1094317
	Positioning pin Ø2x10	2		1009130
	Positioning pin Ø2x5	2		1009136
	Contact plate F300	2		1009135
	Nozzle plate F300 shroud or	1		1020228
	Nozzle plate F300 +20°	1		1094316
9	O-ring Viton 2x1	2	W	1008833
10	O-ring Viton 14x1	1	W	1016286
13	O-ring Viton 3x1	3	W	1003398
16	O-ring Viton 4x1.5	4	W	1003665
19	Hexagon flat head screw M3x10 without shaft	4		1003527
20	Hexagon socket headless setscrew M3x10, flat	2		1040820
2	Cathode 10x9,5 conical	1	C	1058352
3	Electrode holder	1		1009129
4	Positioning pin Ø2x10	2		1009130
5	Insulating ring 20x6.8	1		1009131
6	Intermediate insulating plate	1		1009132
7	Protective cover	1		1009133
8	Contact plate minus	1		1009134
11	Powder injector holder complete type 35A	1	K	1009137
	Powder injector holder complete type 25A	1	K	1097306
12	Powder injector D=1.5-40	1	C	1009138
	Powder injector D=1.5	1	C	1003724
13	O-ring Viton 3x1	2	W	1003398
15	O-ring Viton 5x1	1	W	1003564
16	O-ring Viton 4x1.5	4	W	1003665
17	O-ring Viton 18x1	1	W	1016292
21	Hexagon flat head screw M4x12 without shaft	2		1003533
22	Hexagon fillister head screw M3x10 without shaft	2		1008763
23	Hexagon socket headless setscrew M3x5, flat	1		1003543

Continued next page



Pos.	Designation	Qty.	Cat.	Art. No.
24	Extension 250 mm minus pole	1		1009122
25	Extension 250 mm plus pole	1		1009123
26	Extension 450 mm minus pole	1		1009124
27	Extension 450 mm plus pole	1		1009125
28	Connecting piece 180°	1		1009096
29	Intermediate piece 130 mm	1		1006790
30	Clamping lever	2		1009160
31	Powder hose guide 6x1	1		1009139
31a	Powder hose guide 16x0.5	1		1040966
32	O-ring Viton 3x1	10		1003398
33	O-ring Viton 6x1.5	6		1003397
34	Hexagon fillister head screw M6x143.5	6		1008729
35	Hexagon fillister head screw M6x35	1		1008731
36	Washer M6	6		1003545

### 1.1 Tools



Pos.	Designation	Qty.	Cat.	Art. No.
37	Wrench 23/21	1		1009372
38	Wrench 19/17	1		1009373
39	Wrench 17/14	1		1009378
40	Hexagon key, size 1.5	1		1009391
41	Hexagon key, size 2.0	1		1009392
42	Hexagon key, size 2.5	1		1009393
43	Hexagonal pin spanner, size 5	1		1009398
44	O-ring grease	1		1003770
45	Tweezers	1		1009416
46	Electrode wrench	1		1009424
47	Hexagon socket screw key, size 5	1		1009412
48	Adapter APS/VPS +/-	1		1003465
49	Sealing coupling	1		1004354
50	Fitting Festo 6	1		1011221
51	Hexagon head cap screw M10x20	1		1008769
52	Hexagon head cap screw M12x20	1		1038538
53	Lock washer M12	1		1039174
54	Lock washer M10	1		1039153
55	Washer M10	1		1039151
56	Washer M12	1		1039152

PL 40879 EN 08 Released on: 09/24/2018

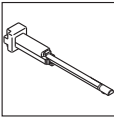
## 1.2 Spray Gun Hoses

### 1.2.1 Power Hoses (incl. Connections)

Designation		Length [m]	Cat.	Art. No.
<b>Standard Hoses</b>				
Hose set APS + / -	includes	5.0		1018789
Hose APS +		5.0		1018767
Hose APS -		5.0		1018761
<b>Optional Hoses</b>				
Hose set APS + / -		0.6		1003095
Hose set APS + / -	includes	0.8		1003096
Hose APS +		0.8		1008159
Hose APS -		0.8		1008158
Hose set APS + / -	includes	1.0		1018773
Hose APS +		1.0		1008161
Hose APS -		1.0		1008160
Hose set APS + / -		1.5		1008174
Hose set APS + / -		2.0		1018776
Hose set APS + / -	includes	2.5		1003099
Hose APS +		2.5		1008163
Hose APS -		2.5		1008162
Hose set APS + / -		3.0		1018781
Hose set APS + / -	includes	3.5		1003101
Hose APS +		3.5		1008165
Hose APS -		3.5		1008164
Hose set APS + / -	includes	4.0		1003102
Hose APS +		4.0		1008167
Hose APS -		4.0		1008166
Hose set APS + / -		4.5		1003103
Hose set APS + / -	includes	6.0		1018795
Hose APS +		6.0		1018840
Hose APS -		6.0		1018837
Hose set APS + / -	includes	6.5		1003106
Hose APS +		6.5		1008171
Hose APS -		6.5		1008170
Hose set APS + / -	includes	7.0		1018798
Hose APS +		7.0		1003093
Hose APS -		7.0		1003092
Hose set APS + / -	includes	8.0		1018805
Hose APS +		8.0		1003094
Hose APS -		8.0		1008172
Hose set APS + / -		9.0		1018808
Hose set APS + / -	includes	10.0		1018811
Hose APS +		10.0		1050332
Hose APS -		10.0		1037397
Hose set APS + / -		12.0		1008178

### 1.2.2 Plasma Gas Hoses (incl. connections)

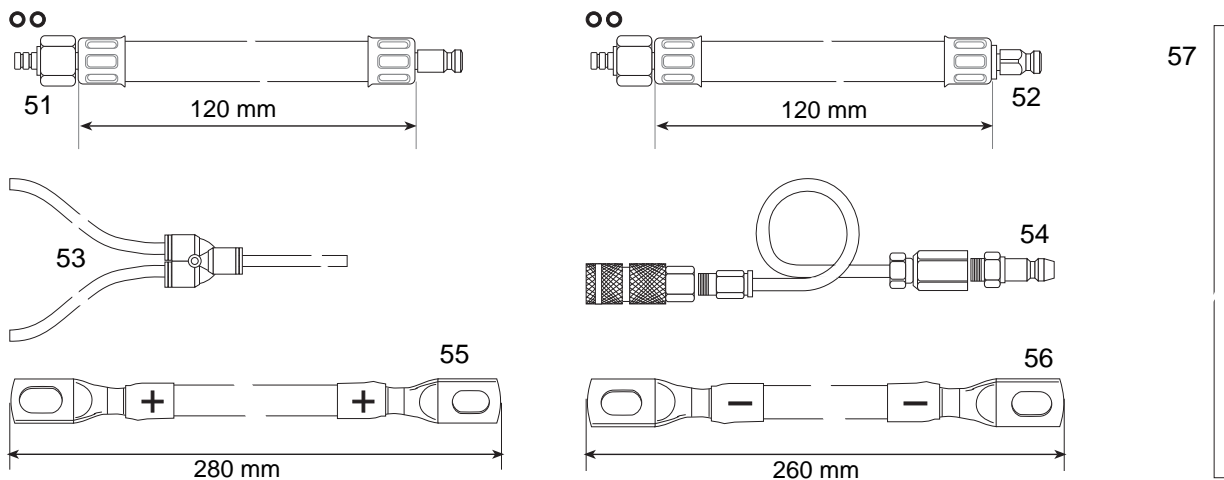
Designation		Length [m]	Cat.	Art. No.
<b>Standard Hose</b>				
Gas hose 8 x 4 black	includes connection	5.0		1018813
Nipple 9.5				1003137
Nipple with special nut				1003082
Nut 9.5 mm B-602-1				1004372
<b>Optional Hoses</b>				
Gas hose 8 x 4 black		1.0		1008183
Gas hose 8 x 4 black		1.5		1008184
Gas hose 8 x 4 black		2.0		1008185
Gas hose 8 x 4 black		2.0		1008186
Gas hose 8 x 4 black	includes	3.0		1008187
Nipple				1003137
Nut				1004372
Clamp ring				1004391
Gas hose 8 x 4 black		3.5		1008188
Gas hose 8 x 4 black		4.0		1003111
Gas hose 8 x 4 black		6.0		1018816
Gas hose 8 x 4 black		7.0		1018818
Gas hose 8 x 4 black		8.0		1003115
Gas hose 8 x 4 black		9.0		1008191
Gas hose 8 x 4 black		10.0		1004712
Gas hose 8 x 4 black		13.0		1008192
Gas hose 8 x 4 black (without connections)		made to order		1004528



### 1.2.3 Powder Hose

Designation		Length [m]	Cat.	Art. No.
<b>Standard Powder Hose APS</b>				
Powder hose ID 4 mm / OD 6 mm (without connections)		made to order		1306102
<b>Connections for Standard Powder Hose ID 4 mm / OD 6 mm</b>				
Nut (Standard)				1004362
Clamp ring (Standard)				1004364
Rapid screw joint (Option)				1004366

### 1.3 Hose Sets for RotaPlasma®



Pos.	Designation		Qty.	Cat.	Art. No.
--	Complete hose set	includes	1		1020179
51	Positive spray gun hose		1		1020204
52	Negative spray gun hose		1		1020206
53	Air cooling pipe		1		1020209
54	Plasma gas hose		1		1020218
55	Positive power cable		1		1020208
56	Negative power cable		1		1020207
57	Pipe shroudgas		1		1020210
Not shown					
--	Complete hose set 30°	includes	1		1021060
58	Positive spray gun hose		1		1021354
59	Negative spray gun hose		1		1021355
60	Air cooling pipe		1		1021360
61	Plasma gas hose		1		1021358
62	Positive power cable		1		1021356
63	Negative power cable		1		1021357
64	Pipe shroudgas		1		1021359

PL 40879 EN 08 Released on: 09/24/2018