

SmartArc PPG Gun

Electric Arc Spraying


Parts List
PL 40933 EN 11




Oerlikon Metco (US) Inc.

1101 Prospect Avenue

Westbury NY 11590

 +1 516 334 1300

 +1 516 338 2414

www.oerlikon.com/metco

Spare Parts Categories

C = Consumable Parts

Parts subjected to major wear during normal operation. These parts require replacement on a regular basis.

Recommended in order to avoid downtimes.

W = Wear Parts

Parts used for maintenance service. These parts are likely and expected to wear out during the life of the product.

Wear parts are not subject to warranty.

K = Critical Parts

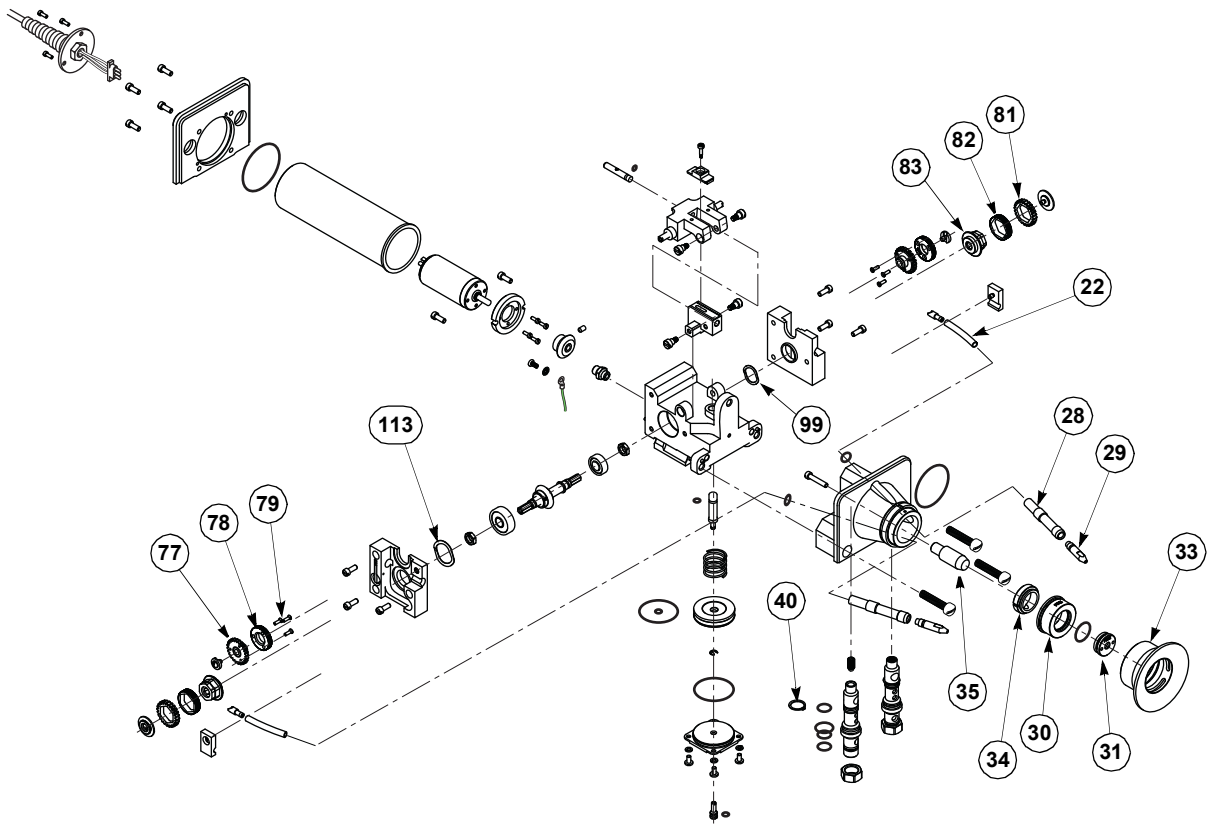
Parts recommended in order to guarantee maximum availability of component. This prevents downtime caused by delay in procurement.



Warranty Disclaimer

Installing non-Oerlikon Metco spare parts on Oerlikon Metco equipment voids the product warranty.

1 List of Recommended Spare Parts, SmartArc PPG Gun



Item No.	Description	Qty.	Cat.	Catalog No.	Order No.
22	Wire Guide Tube	2	W	PPG51385	1002244
28	Contact Tube	2	C	(See page 6.)	
29	Contact Tip	2	C	(See page 6.)	
30	Air Cap Body	1	C	(See page 8.)	
31	Air Cap Insert	1	C	(See page 8.)	
33	Arc Shield	1	K	PPG51417	1002257
34	Tip Locator Ring	1	K	PPG51415	1002255
35	Centering Post	1	K	PPG51418	1002258
40	Retaining Ring	2	K	PPG51378	1002242
77	Upper Drive Gear Assembly	2	W	PPG51400	1002253
78	Upper Serrated Roller, 14 ga.	2	W	PPG51395	1002250
79	Screw, 4-40 x 3/8	6	K	4E34	1000830
81	Lower Drive Spur Gear	2	W	PPG50860	1002233
82	Lower Serrated Roller, 14 ga.	2	W	PPG51397	1002251
83	Drive Roll Insulator	2	K	PPG50859	1002232
99	Wave Spring Washer	1	K	PPG50826	1002230
113	Wave Spring Washer	1	K	PPG50825	1002229
135	Ringlube	1	C	2M182	1000508
136	Reseal Kit	1	C	PPG51899	1002280
139	Gear Grease	1	C	PPG51925	1002287
156	Wire Feed Liner Package	1	W	PPH51905	1002319

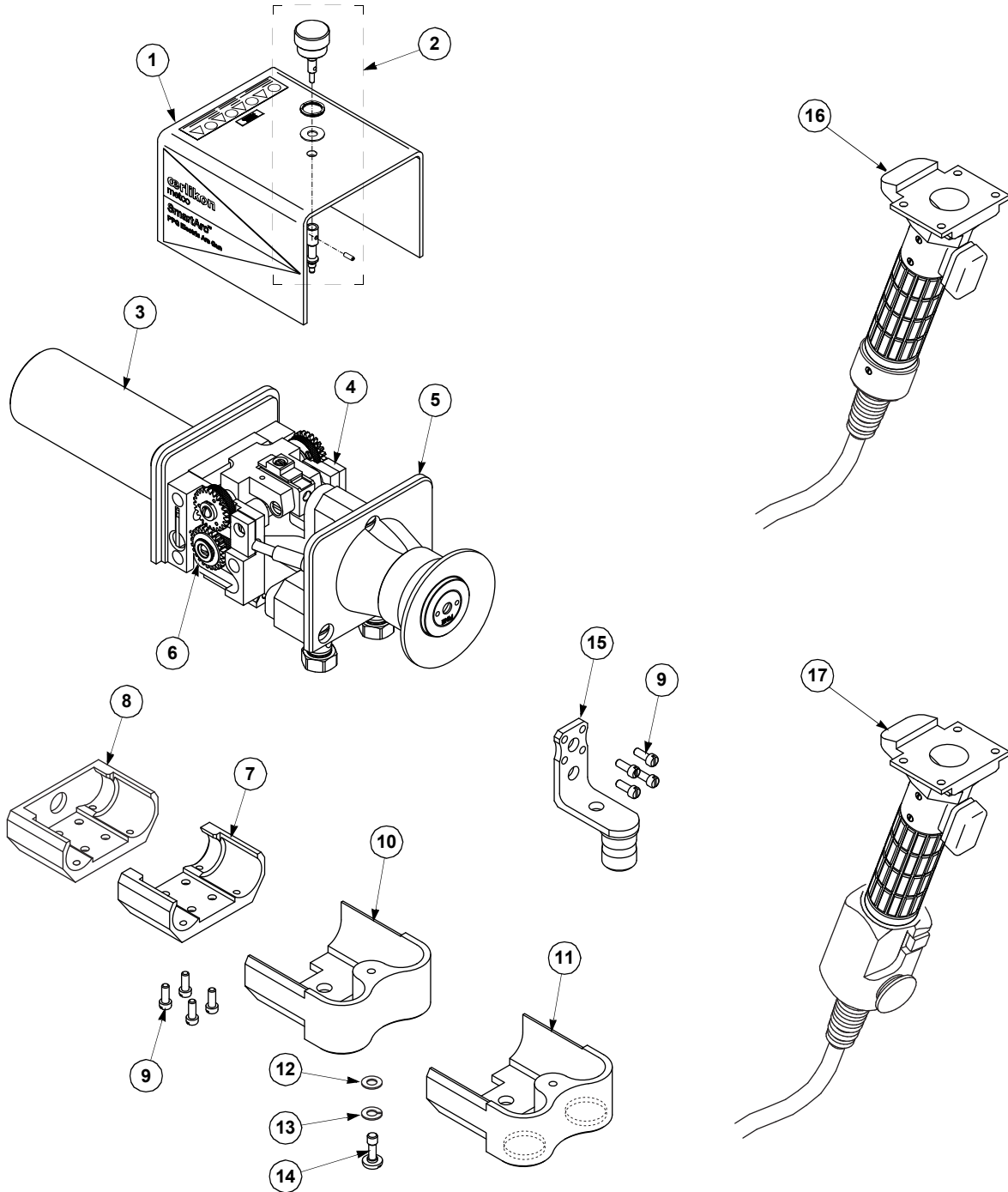
PL 40933 EN 11 Released on: 12/03/2019

2 Parts List for SmartArc PPG Gun

SmartArc PPG Gun (Machine Mounted)	PPG	1002224
PPG-H SmartArc Hand Held Gun (Standard)	PPG-H	1019252
PPG-HE SmartArc Hand Held Gun (with E-STOP handle) ⁽¹⁾	PPG-HE	1002295

1. Discontinued. No longer CE-compliant. Shown for reference only.

2.1 Complete Gun Assembly

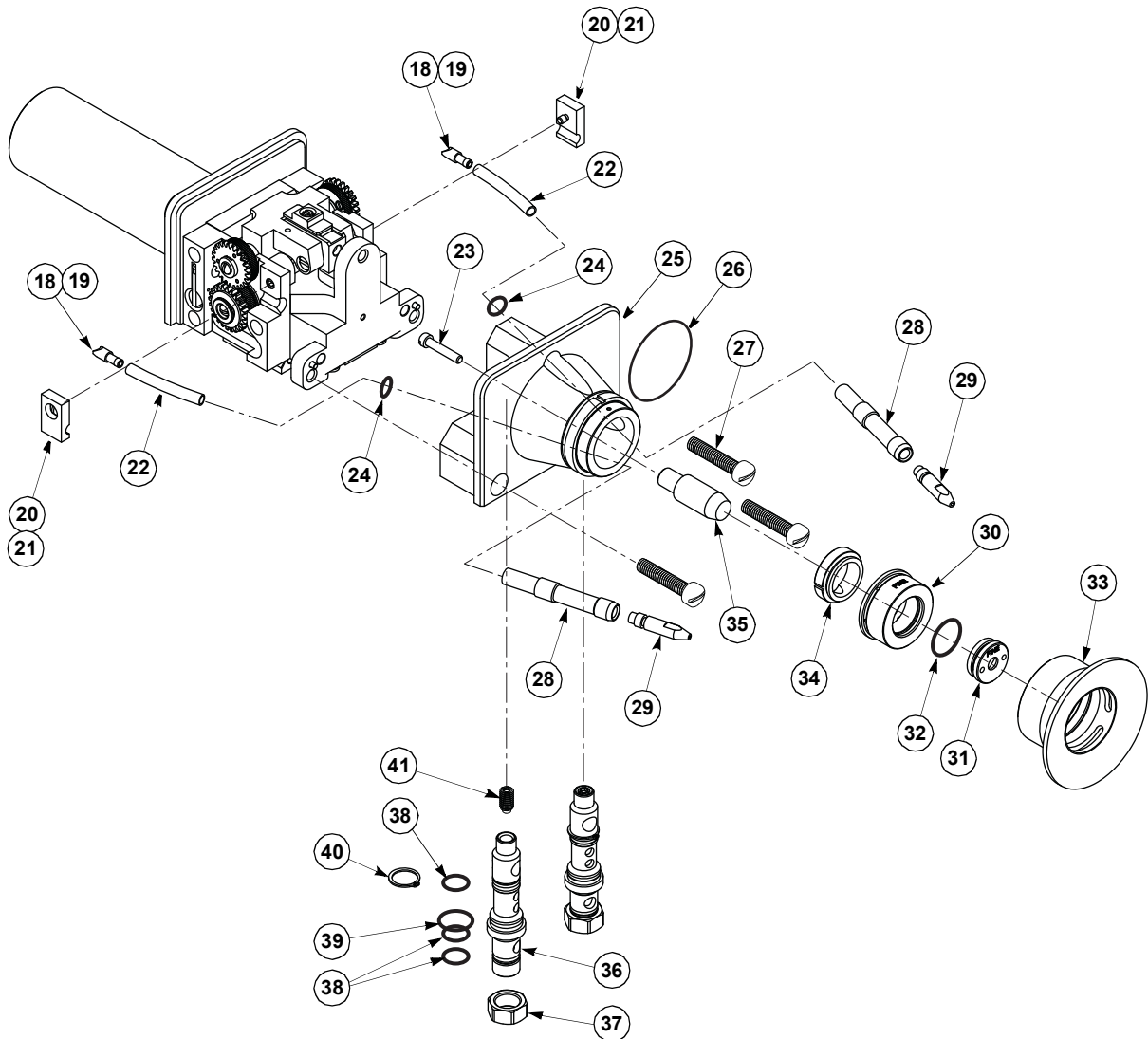




Item No.	Description	Qty.	Catalog No.	Order No.
1	Cover Assembly (includes item 2)	1	PPG51891	1002279
2	Knob	1	PPG51628	1065913
3	Motor & Rear Gun Body	1	(See page 10.)	
4	Main Housing Assembly	1	(See page 14.)	
5	Front Gun Body	1	(See page 6.)	
6	Wire Drives	1	(See page 11.)	
7 (1)	Lower Cable Holder Cover	1	PPG51315	1016127
8 (2)	Lower Cover	1	PPG5171	1037001
9	Screw, 10-24 x 1/2 (pkg. of 5)	8	4E38	1000834
10 (1)	Cable/Post Cover (includes items 12-14)	1	PPG52039	1002294
11 (2)	Vertical Cable Cover (includes items 12-14)	1	PPG52040	1035292
12	Washer	1	—	—
13	Lock Washer (pkg. of 4)	1	CU473	1005812
14	Captive Screw, 1/4-20 x 3/8	1	PPG51467	1035293
15 (1)	Tool Post Bracket	1	PPG51525	1002269
16 (2)	Gun Handle	1	PPG51843	1002277
17	Gun Handle with E-STOP and wire speed control (optional)	—	PPG51845	1002278

1. PPG
2. PPG-H

2.2 Front Gun Body

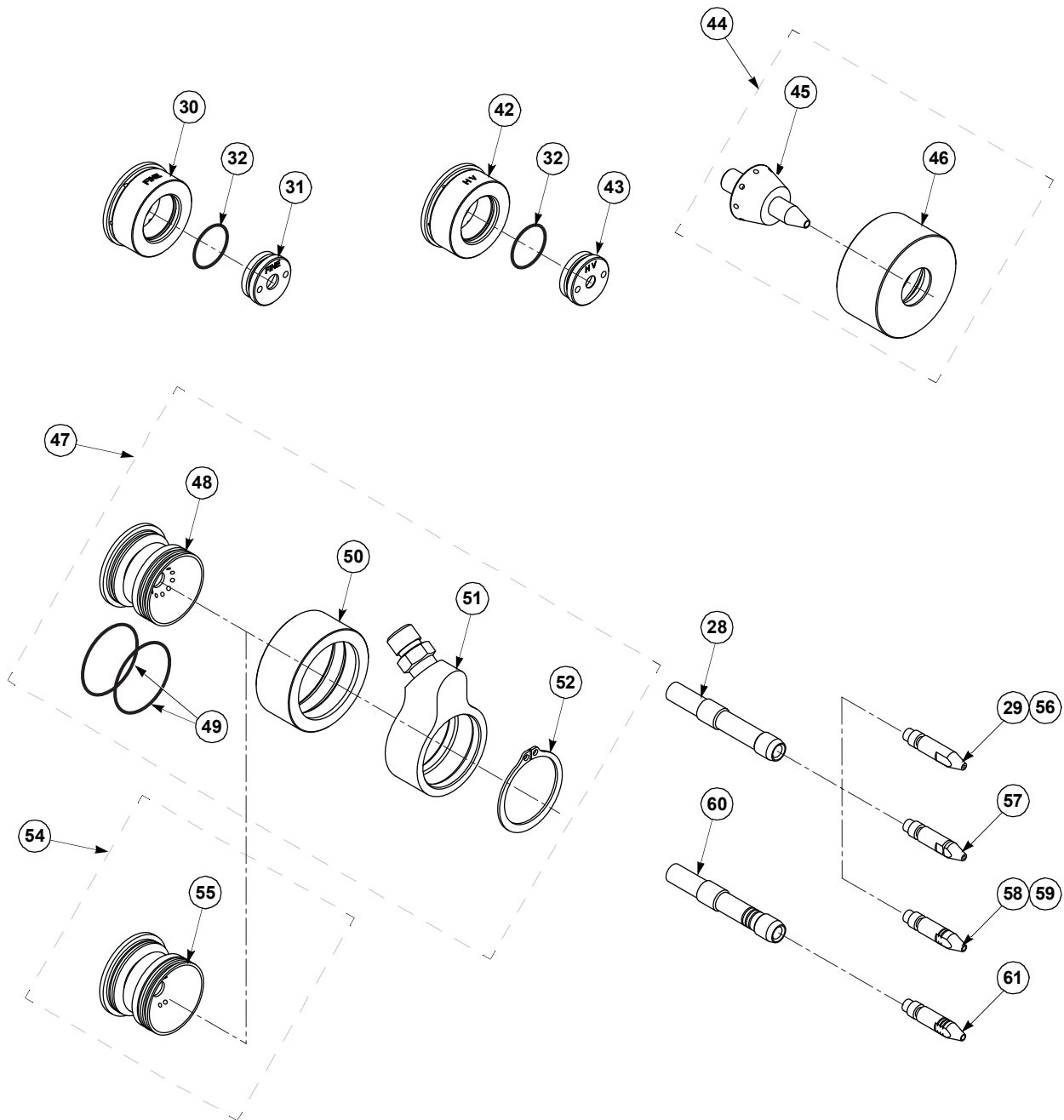


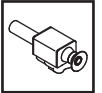
PL 40933 EN 11 Released on: 12/03/2019

Item No.	Description	Qty.	Catalog No.	Order No.
18	Wire Guide Tip, 14 ga. (Hard Wire; standard) (pkg. of 2)	2	PPG51736	1002274
19	Wire Guide Tip (Soft Wire; optional) (pkg. of 2)	—	PPG51384	1002243
20	Guide Tube Clamp (pkg. of 2; incl. item 21)	2	PPG51414	1002254
21	Captive Screw, 8-32 x 5/16	2	—	—
22	Wire Guide Tube (pkg. of 2)	2	PPG51385	1002244
23	Screw, 10-24 x 1 (pkg. of 5)	1	2M192	1000516
24	O-Ring, Buna-N, 0.176 x 0.070 in.	2	RGM233	1002362
25	Gun Head Assembly (includes item 26)	1	PPG51573	1002271
26	O-Ring, Buna, 1.739 x 0.07 in.	1	3M614	1000709
27	Screw, 5/16-18 x 1.5 (pkg. of 3)	3	PPG51783	1060455
28	Contact Tube, 14 ga. / 2.0 mm (pkg. of 2)	2	PPG51352	1002240
29	Contact Tip, 14 ga. (pkg. of 10)	2	PPG51351	1002239
30	Air Cap Body (Fine) (includes items 31 & 32)	1	PPG51416	1002256
31	Air Cap Insert - Fine Spray Arc	1	6RG959	1001414
32	O-Ring, Black Viton, 0.801 x 0.07 in. (pkg. of 2)	1	2RG108	1000549
33	Arc Shield	1	PPG51417	1002257
34	Tip Locator Ring	1	PPG51415	1002255
35	Centering Post	1	PPG51418	1002258
36	Contact Tube Post (pkg. of 2)	2	PPG51445	1002260
37	Nut (pkg. of 2)	2	PPG51446	1002261
38	O-Ring, Buna, 0.489 x 0.07 in. (pkg. of 6)	6	2M195	1000518
39	O-Ring, Buna, 0.614 x 0.07 in.	2	PPG6331	1002223
40	Retaining Ring (pkg. of 2)	2	PPG51378	1002242
41	Set Screw, 5/16-18 x 1/2	2	PPG51130	1002237



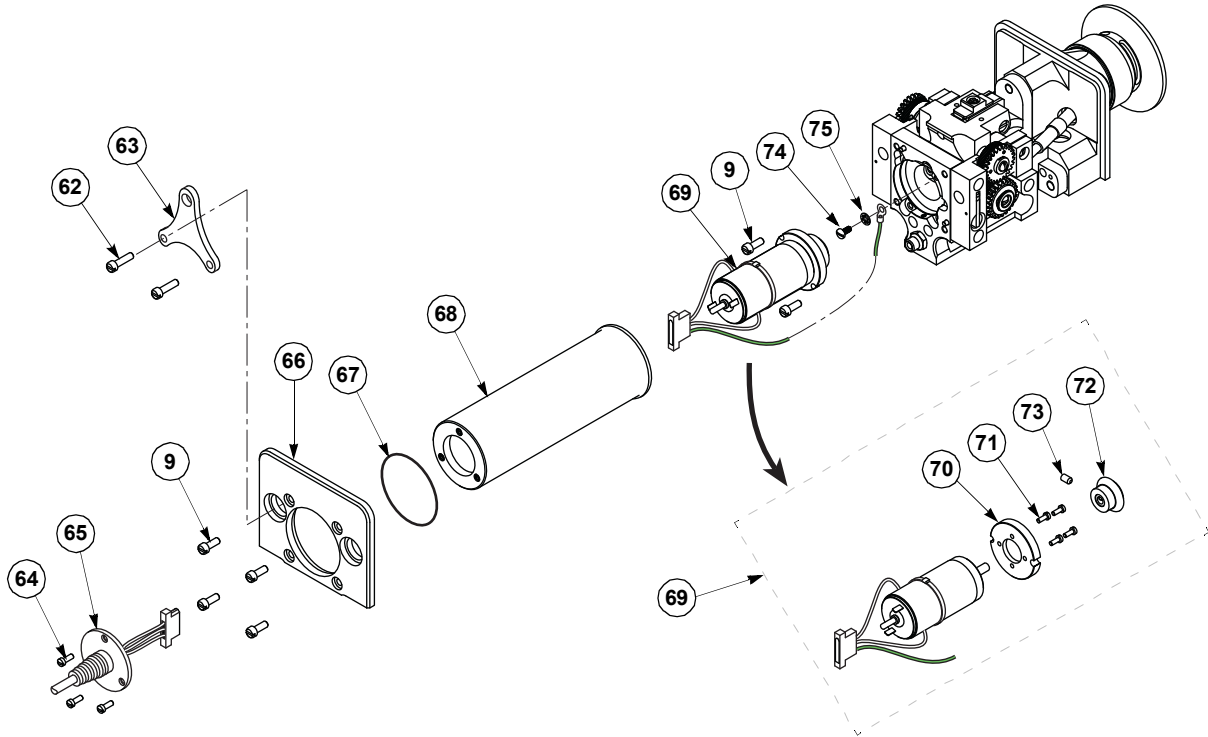
2.3 Front End Hardware





Item No.	Description	Qty.	Catalog No.	Order No.
Standard Front End Hardware (supplied with spray gun)				
28	Contact Tube, 14 ga. / 2.0 mm (pkg. of 2)	2	PPG51352	1002240
29	Contact Tip, 14 ga. (pkg. of 10)	2	PPG51351	1002239
30	Air Cap Body (Fine) (includes items 31 & 32)	1	PPG51416	1002256
31	Air Cap Insert - Fine Spray Arc	1	6RG959	1001414
32	O-Ring, Black Viton, 0.801 x 0.07 in. (pkg. of 2)	1	2RG108	1000549
Optional Front End Hardware and Packages				
42	Air Cap Body (High Velocity) (includes items 43 & 32)	—	PPG51777	1002276
43	Air Cap Insert - High Velocity Arc	—	6RG953	1001412
44	High Profile Air Cap Assembly (includes items 45 & 46)	—	PPG51735	1002273
45	High Profile Centering Post	1	PPG51976	1002292
46	High Profile Arc Shield	1	PPG51978	1002293
47	Focused Arc Air Cap Assembly (incl. items 48-53, 135 & 153)	—	PPGFA56853	1015387
48	Focused Arc Air Cap Insert	1	PPGFA55848	1015543
49	O-Ring, Buna, 1.364 x 0.07 in. (pkg. of 2)	2	PPG14065	1028775
50	Fan Retainer	1	PPG51539	1020444
51	Fan Air Cap Adapter	1	PPG51541	1071758
52	Retaining Ring	1	PPG51680	1028782
53	Reseal Kit (includes items 49(x10) & 52(x5))	1	PPGFA56854	1041226
54	Fan Air Cap Assembly (incl. items 49-52 & 55)	—	PPG51732	1002272
55	Fan Air Cap Insert	1	PPG51540	1002270
56	Contact Tip, 14 ga. (Long Life) (pkg. of 2)	—	PPG51920	1002281
	Contact Tip, 14 ga. (Long Life) (pkg. of 10)	—	PPG51920-10	1002282
	Contact Tip, 14 ga. (Long Life) (pkg. of 20)	—	PPG51920-20	1002283
57	Contact Tip, 14 ga. (Soft) (pkg. of 10)	—	PPG51496	1002265
58	Contact Tip, 2 mm (pkg. of 10)	—	PPG51523	1002267
	Contact Tip, 2 mm (Long Life) (pkg. of 2)	—	PPG51921	1002284
	Contact Tip, 2 mm (Long Life) (pkg. of 10)	—	PPG51921-10	1006076
59	Contact Tip, 2 mm (Long Life) (pkg. of 20)	—	PPG51921-20	—
	Contact Tube, 11 ga.	—	PPG51923	1002286
61	Contact Tip, 11 ga. (pkg. of 10)	—	PPG51524	1002268

2.4 Motor and Rear Gun Body

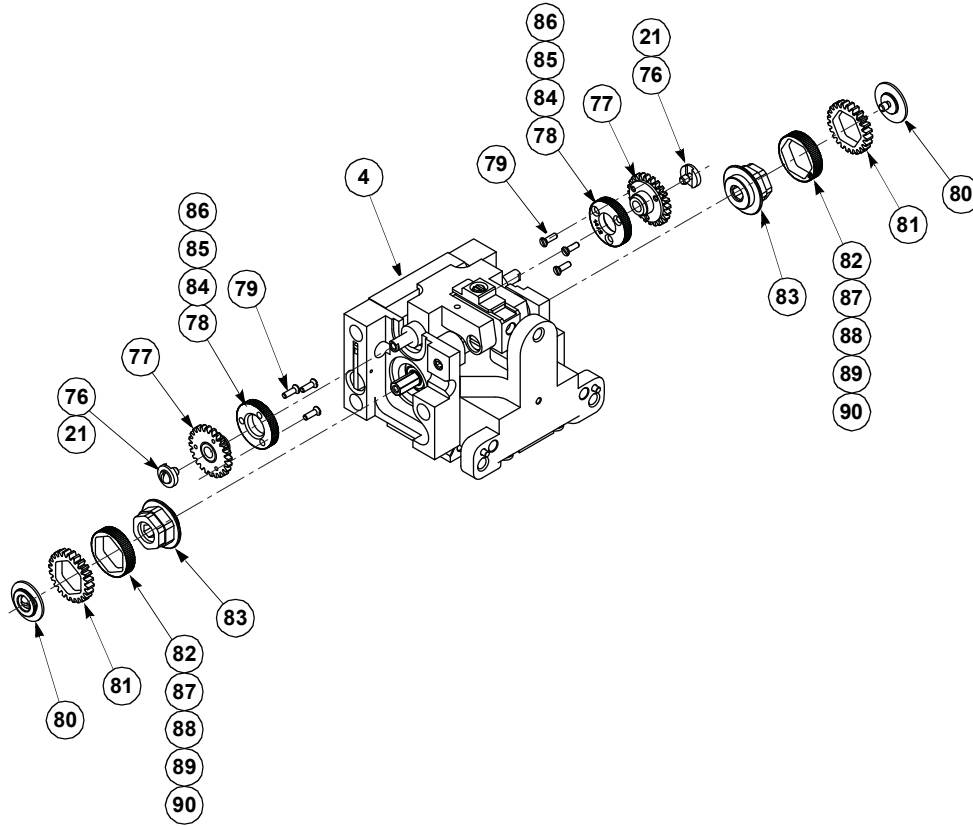


Item No.	Description	Qty.	Catalog No.	Order No.
9 ⁽¹⁾	Screw, 10-24 x 1/2 (pkg. of 5)	6	4E38	1000834
62 ⁽²⁾	Screw, 10-24 x 3/4 (pkg. of 6)	2	C445	1001777
63 ⁽²⁾	Bracket	1	PPG50819	1096731
64	Screw, 6-32 x 0.375 (pkg. of 3)	3	PPG51784	1028783
65	PPG Cable, 8.2 m (27')	1	PPG51641	1018701
66	Rear Plate	1	PPG51278	1002238
67	O-Ring, Buna, 2.114 x 0.07 in.	1	5RG304	1001239
68	Motor Cover	1	PPG51633	1019814
69	Motor Assembly (includes items 70 - 73)	1	PPG51439	1002259
70	Motor Pilot Plate	1	PPG52032	1068587
71	Screw, M3 x 8 (pkg. of 4)	4	PPG51455	1068588
72	Gear (includes item 73)	1	PPG51713	1006463
73	Hex Set Screw, 10-32 x 5/16 (pkg. of 4)	1	RG134	1002347
74	Screw, 4-40 x 1/4 (pkg. of 6)	1	5CO56	1040818
75	Lock Washer (pkg. of 6)	1	7MC376	1032270

1. On PPG-H, quantity of item 9 is 4, with upper two substituted by item 62.
2. PPG-H



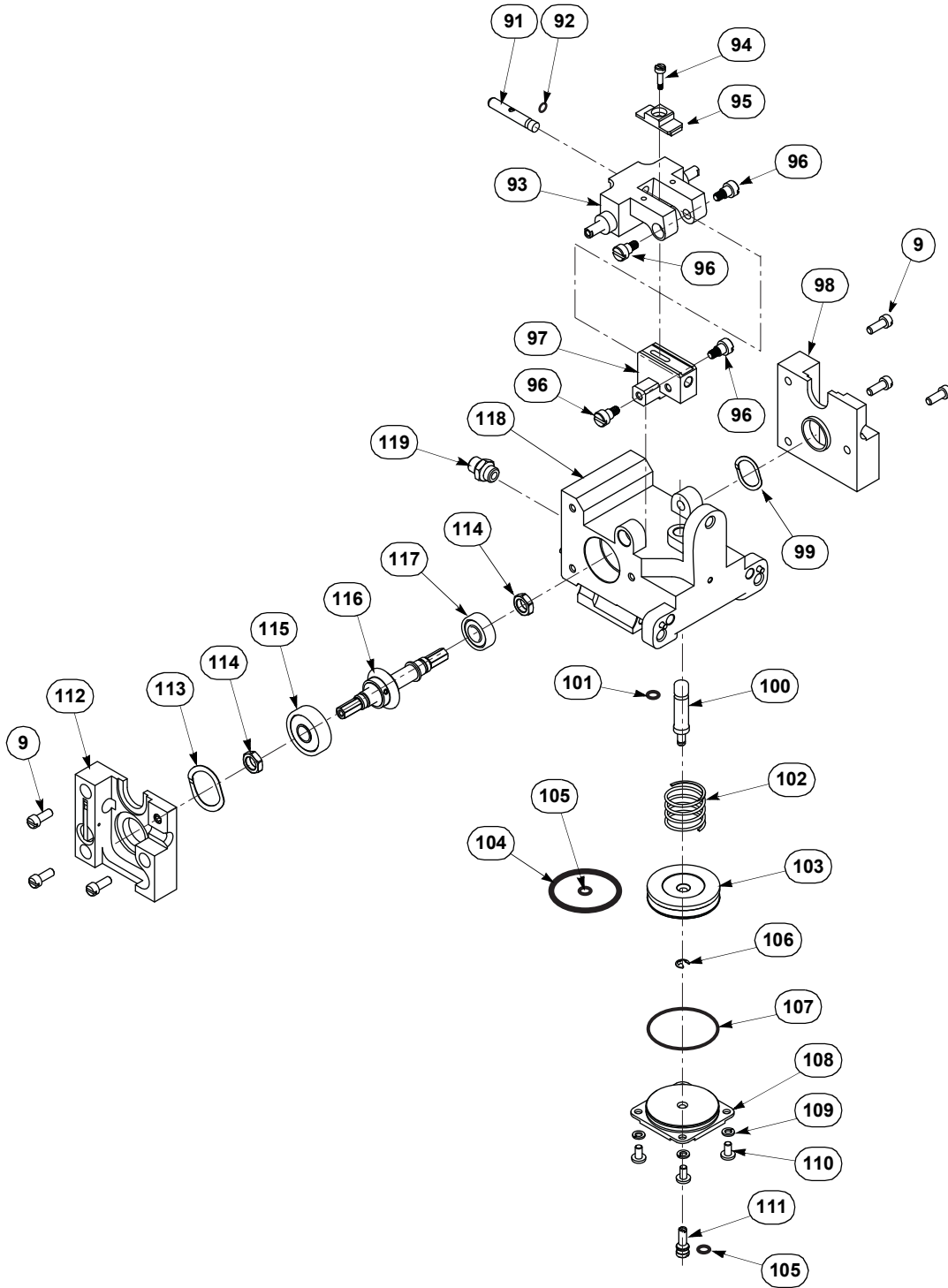
2.5 Wire Drives



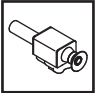
Item No.	Description	Qty.	Catalog No.	Order No.
4	Main Housing Assembly	1		(See page 14.)
21	Captive Screw, 8-32 x 5/16	2	—	—
76	Upper Drive Roll Retainer	(pkg. of 2; incl. item 21)	2	PPG50909 1002236
77	Upper Drive Gear Assembly	(pkg. of 2)	2	PPG51400 1002253
78	Upper Drive Roll, 14 ga.	(pkg. of 2)	2	PPG51395 1002250
79	Screw, 4-40 x 3/8	(pkg. of 5)	6	4E34 1000830
80	Lower Drive Roll Retainer	(pkg. of 2)	2	PPG51498 1002266
81	Lower Drive Spur Gear	(pkg. of 2)	2	PPG50860 1002233
82	Lower Drive Roll, 14 ga.	(pkg. of 2)	2	PPG51397 1002251
83	Drive Roll Insulator	(pkg. of 2)	2	PPG50859 1002232
Optional Rollers				
84	Upper Drive Roll, 11 ga.	—	RG63	1002357
85	Upper Flat Roller, 14 ga. / 2 mm	(pkg. of 2)	—	PPG51393 1002248
86	Upper Flat Roller, 11 ga.	(pkg. of 2)	—	PPG51394 1002249
87	Lower Drive Roll, 11 ga.	(pkg. of 2)	—	PPG51398 1002252
88	Lower "V" Roller, 14 ga.	(pkg. of 2)	—	PPG51390 1002245
89	Lower "V" Roller, 11 ga.	(pkg. of 2)	—	PPG51391 1002246
90	Lower "V" Roller, 2 mm	(pkg. of 2)	—	PPG51392 1002247

PL 40933 EN 11 Released on: 12/03/2019

2.6 Main Housing Assembly

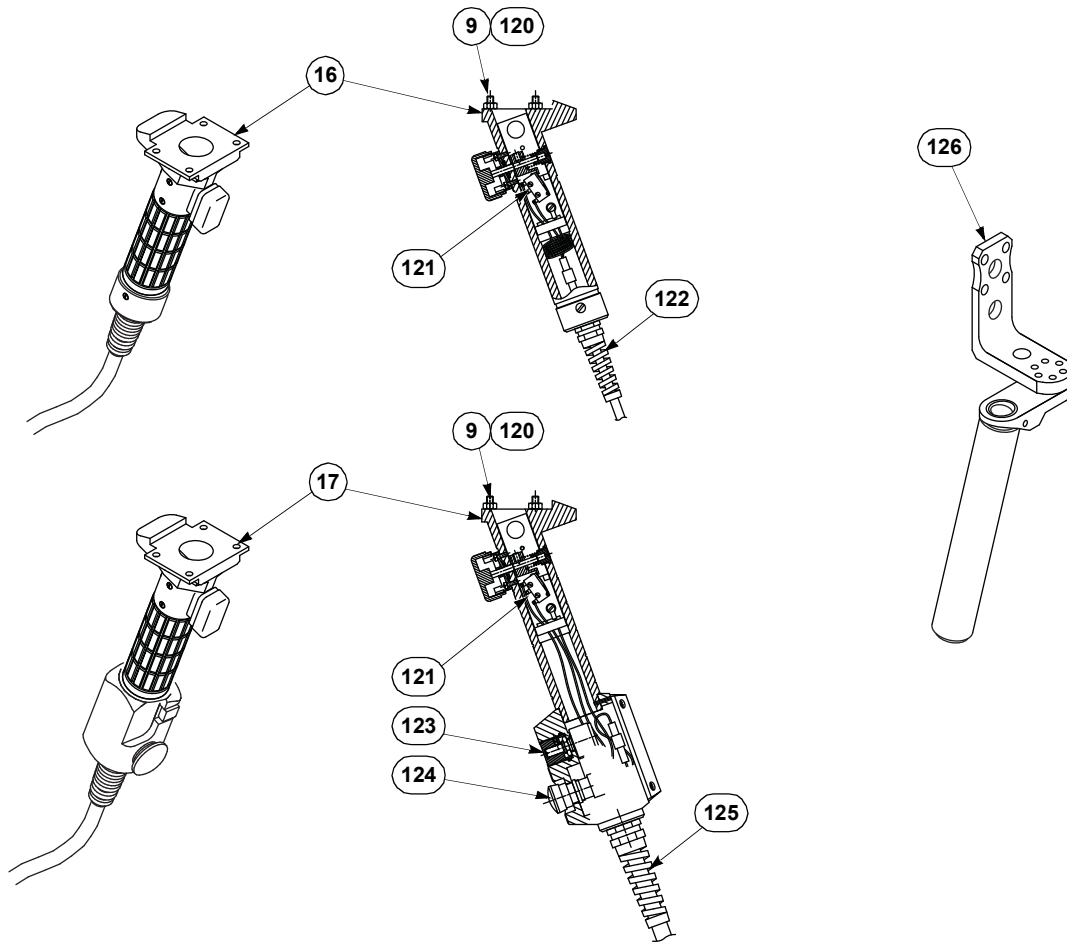


PL 40933 EN 11 Released on: 12/03/2019



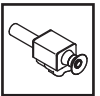
Item No.	Description	Qty.	Catalog No.	Order No.
9	Screw, 10-24 x 1/2 (pkg. of 5)	6	4E38	1000834
91	Clamp Pin	1	PPG51482	1002263
92	O-Ring, Buna, 0.114 x 0.07 in. (pkg. of 5)	1	5P24	1001160
93	Clamp	1	PPG50904	1002234
94	Screw, 4-40 x 0.3755	1	PPG51484	1028780
95	Slide Clamp	1	PPG51483	1002264
96	Screw, 10-32 x 0.188 (pkg. of 4)	4	PPG50838	1002231
97	Clamp Block	1	PPG50905	1002235
98	Left Side Insulator Plate	1	PPG50812	1002225
99	Wave Spring Washer	1	PPG50826	1002230
100	Piston Rod	1	PPG50820	1002228
101	O-Ring, Buna, 0.208 x 0.07 in.	1	PPG6392	1028791
102	Spring	1	7E177	1001438
103	Piston Plate	1	PPG50819	1002227
104	O-Ring, Buna, 1.484 x 0.139 in.	1	6RC64	1001386
105	O-Ring, Buna, 0.176 x 0.07 in. (pkg. of 2)	2	PPG3193	1028777
106	Retaining Ring (pkg. of 3)	1	7E189	1001439
107	O-Ring, Buna, 1.614 x 0.07 in.	1	PPG6611	1028792
108	Piston Cover	1	PPG50821	1039189
109	Lock Washer (pkg. of 4)	4	PPG27138	1028776
110	Screw, 8-32 X5/16 (pkg. of 4)	4	PPG50865	1028779
111	Adjustment Screw	1	7E93	1001447
112	Right Side Insulator Plate	1	PPG50813	1002226
113	Wave Spring Washer	1	PPG50825	1002229
114	Bearing Lock Nut (pkg. of 2)	2	PPG50858	1006460
115	Ball Bearing	1	K88	1002021
116	Shaft Assembly (With Gear)	1	PPG51386	1006458
117	Ball Bearing	1	RG69	1002359
118	Housing (includes item 119)	1	PPG50811	1028778
119	Hex Nipple	1	2E22	1000464

2.7 Handle Assemblies



Item No.	Description	Qty.	Catalog No.	Order No.
9	Screw, 10-24 x 1/2 (pkg. of 5)	4	4E38	1000834
16 ⁽¹⁾	Gun Handle (includes items 9 & 120-122)	1	PPG51843	1002277
120	Hex Nut, 10-24 (pkg. of 6)	4	P179	1036106
121	On/Off Switch Assembly (with plug)	1	PPG51592	1006072
122	Cable, 7 m (23')	1	PPG51819	1028784
Optional				
17	Gun Handle with E-STOP and wire speed control (includes items 9, 120, 121 & 123-125)	—	PPG51845	1002278
123	Wire Speed Potentiometer	1	PPG51597	1037614
124	Emergency Stop Switch	1	PPG51658	1034393
125	Cable	1	PPG51686	1020329
126	Auxiliary Side Handle	—	PPG51650	1028781
127	Handle & Auxiliary Handle (includes items 16 & 126)	—	PPG51895	1019901
128	Handle & Auxiliary Handle (includes items 17 & 126)	—	PPG51896	1006075

1. PPG-H



3 Additional Equipment

3.1 Tools and Spares

Standard equipment supplied with the SmartArc PPG Gun:

Item No.	Description	Qty.	Catalog No.	Order No.
129	Spanner Wrench	1	6RG955	1005278
130	Wrench, 1/4"	1	PPG51936	1002288
131	Hex Wrench - 5/32"	1	3M645	1031695
132	Retaining Ring Pliers	1	3M654	1004993
133	Wire Cleaning Kit	1	2RG104	1000548
134	Pliers - 1/8" Wire Cutter	1	4RG80	1001013
135	Ringlube	1	2M182	1000508
136	Reseal Kit (includes the following:)	1	PPG51899	1002280
24	O-Ring, Buna-N, 0.176 x 0.070 in.	2	RGM233	1002362
26	O-Ring, Buna, 1.739 x 0.07 in.	1	3M614	1000709
32	O-Ring, Black Viton, 0.801 x 0.07 in.	1	2RG108	1000549
38	O-Ring, Buna, 0.489 x 0.07 in.	6	2M195	1000518
39	O-Ring, Buna, 0.614 x 0.07 in.	2	PPG6331	1002223
67	O-Ring, Buna, 2.114 x 0.07 in.	1	5RG304	1001239
92	O-Ring, Buna, 0.114 x 0.07 in.	1	5P24	1001160
101	O-Ring, Buna, 0.208 x 0.07 in.	2	PPG6392	1028791
104	O-Ring, Buna 1.484 x 0.139 in.	2	6RC64	1001386
105	O-Ring, Buna, 0.176 x 0.07 in.	2	PPG3193	1028777
107	O-Ring, Buna, 1.614 x 0.07 in.	1	PPG6611	1028792
— (1)	O-Ring, Buna 1.864 x 0.07 in.	1	3M479	1000699

1. Not used on SmartArc PPG Gun.

3.2 Optional Equipment

Item No.	Description	Qty.	Catalog No.	Order No.
137	Hardware Kit (includes the following:)	—	PPG54048	1028786
9	Screw, 10-24 x 1/2	20	4E38	1000834
14	Captive Screw, 1/4-20 x 3/8	2	PPG51467	1035293
21	Captive Screw, 8-32 x 5/16	2	—	—
23	Screw, 10-24 x 1	2	2M192	1000516
27	Screw, 5/16-18 x 1.5	3	PPG51783	1060455
41	Set Screw, 5/16-18 x 1/2	2	PPG51130	1002237
64	Screw, 6-32 x 0.375	3	PPG51784	1028783
74	Screw, 4-40 x 1/4	2	5CO56	1040818
79	Screw, 4-40 x 3/8	6	4E34	1000830
94	Screw, 4-40 x 0.3755	2	PPG51484	1028780
96	Screw, 10-32 x 0.188	4	PPG50838	1002231
110	Screw, 8-32 X5/16	4	PPG50865	1028779
111	Adjustment Screw	2	7E93	1001447

(continued)

(continued)

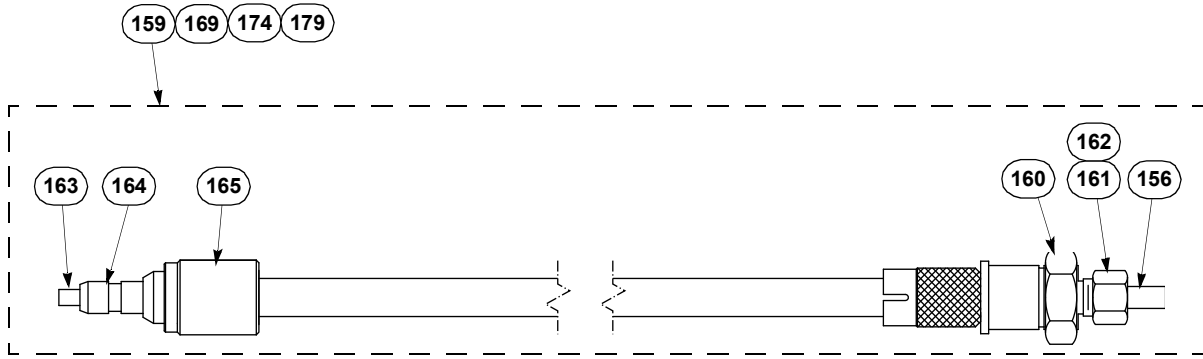
Item No.	Description	Qty.	Catalog No.	Order No.
138	Overhaul Kit (includes the following:)	—	PPG54056	1028787
40	Retaining Ring	4	PPG51378	1002242
99	Wave Spring Washer	2	PPG50826	1002230
106	Retaining Ring	2	7E189	1001439
113	Wave Spring Washer	2	PPG50825	1002229
115	Ball Bearing	2	K88	1002021
117	Ball Bearing	1	RG69	1002359
136	Reseal Kit	1	PPG51899	1002280
137	Hardware Kit	1	PPG54048	1028786
139	Gear Grease	1	PPG51925	1002287
140	Wire Feed Lubricator Pads (includes 4 pads & 1 clip)	—	LCAE56094	1002029
Front Gun and Wire Drive Hardware Packages				
141	Hardware Kit, 14 ga., Aluminum (includes the following:)	—	PPG51944	1002289
19	Wire Guide Tip (Soft Wire)	2	PPG51384	1002243
142	Wire Guide Tip, 14 ga. / 2 mm (Soft Wire)	2	PPG51365	1002241
57	Contact Tip, 14 ga. (Soft)	10	PPG51496	1002265
143	Guide (Soft Wire, Controller)	2	PPC51879	1002220
144	Hardware Kit, 14 ga., Zinc (includes the following:)	—	PPG51945	1002290
19	Wire Guide Tip (Soft Wire)	2	PPG51384	1002243
57	Contact Tip, 14 ga. (Soft)	10	PPG51496	1002265
85	Upper Flat Roller, 14 ga. / 2 mm	2	PPG51393	1002248
88	Lower "V" Roller, 14 ga.	2	PPG51390	1002245
142	Wire Guide Tip, 14 ga. / 2 mm (Soft Wire)	2	PPG51365	1002241
143	Guide (Soft Wire, Controller)	2	PPC51879	1002220
145	Hardware Kit, 2 mm, Aluminum (includes the following:)	—	PPG51946	1002291
58	Contact Tip, 2 mm	10	PPG51523	1002267
146	Lower Roller, Grooved, 2 mm	2	PPC51472	1002209
147	Primary Wire Straightener Assembly	2	6RC235	1005273
148	Spacer Plate	2	PPC51943	1028765
149	Screw, 10-32 X 1-3/4	4	—	—
150	Hardware Kit, 2 mm, Zinc (includes the following:)	—	PPG51947	1020254
58	Contact Tip, 2 mm	10	PPG51523	1002267
85	Upper Flat Roller, 14 ga. / 2 mm	2	PPG51393	1002248
90	Lower "V" Roller, 2 mm	2	PPG51392	1002247
146	Lower Roller, 2 mm, Grooved, Wire Feeder	2	PPC51472	1002209
151	Hardware Kit, 11 ga. (soft wires, Al, Zn) (includes the following:)	—	PPG51948	1006077
60	Contact Tube, 11 ga.	2	PPG51923	1002286
61	Contact Tip, 11 ga.	10	PPG51524	1002268
84	Upper Serrated Roller, 11 ga.	2	RG63	1002357
87	Lower Serrated Roller, 11 ga.	2	PPG51398	1002252
147	Primary Wire Straightener Assembly	2	6RC235	1005273
148	Spacer Plate	2	PPC51943	1028765
152	Roller, 2.3 mm, Grooved, Wire Feeder	2	PPC51473	1002262



3.3 Hoses / Cables

Item No.	Description	Qty.	Catalog. No.	Order No.
153	Secondary Air Hose (6.1 m / 20')	—	PPG51740-20	1006073
154	Secondary Air Hose (11.6 m / 38')	—	PPG51740-38	1006074
155	Secondary Air Hose (16.8 m / 55')	—	PPG51740-55	1002275
156	Wire Feed Liner Pkg. (36.6 m / 120'; includes item 161, qty. 10)	—	PPH51905	1002319

For use with PPG



157	Hose & Cable Package (4.6 m / 15') (includes items 158-166)	—	PPH-15	1002307
158	Coaxial Cable, DC (6.4 m / 21')	2	PPH51737-21	1002314
159	Wire Feed Conduit (4.6 m / 15') (includes items 160-165)	2	PPH51742-15	1002316
160	Adaptor fitting nut	2	C21	1001773
161	Ferrule	2	PPH12538	1000984
162	Ferrule nut	2	PPH34391	1000964
163	Wire feed wire guide (11ga, 14ga, 2mm), hard	2	PPH51364	1002310
164	Tube adaptor	2	PPH51366	1002311
165	Insulator	2	PPH51367	1002312
166	Gun Clamp Air Hose (6.1 m / 20')	1	PPH51739-20	1028794
167	Hose & Cable Package (6.7 m / 22') (includes items 168-171)	—	PPH-22	1066293
168	Coaxial Cable, DC (8.5 m / 28')	2	PPH51737-28	1068170
169	Wire Feed Conduit (6.7 m / 22') (includes items 160-165)	2	PPH51742-22	1068173
170	Gun Clamp Air Hose (8.2 m / 27')	1	PPH51739-27	1068174
171	Motor Extension Cable (2.1 m / 7')	1	PPH51798-7	1068175
172	Hose & Cable Package (10 m / 33') (includes items 173-176)	—	PPH-33	1002308
173	Coaxial Cable, DC (11.9 m / 39')	2	PPH51737-39	1006464
174	Wire Feed Conduit (10 m / 33') (includes items 160-165)	2	PPH51742-33	1002317
175	Gun Clamp Air Hose (11.6 m / 38')	1	PPH51739-38	1006465
176	Motor Extension Cable (5.5 m / 18')	1	PPH51798-18	1039109
177	Hose & Cable Package (15.2 m / 50') (includes items 178-181)	—	PPH-50	1002309
178	Coaxial Cable, DC (17.1 m / 56')	2	PPH51737-56	1006078
179	Wire Feed Conduit (15.2 m / 50') (includes items 160-165)	2	PPH51742-50	1002318
180	Gun Clamp Air Hose (16.8 m / 55')	1	PPH51739-55	1002315
181	Motor Extension Cable (10.7 m / 35')	1	PPH51798-35	1028797

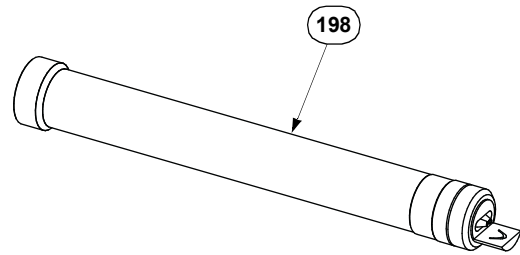
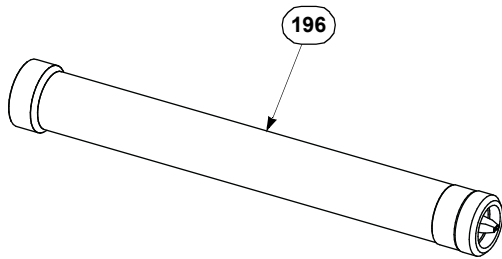
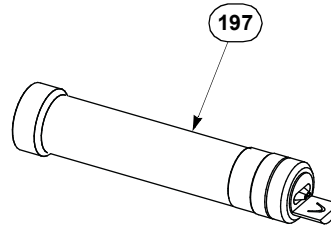
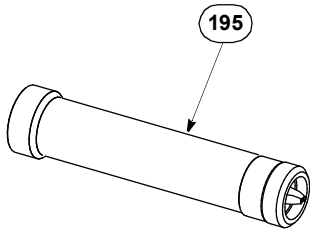
(continued)

(continued)

Item No.	Description	Qty.	Catalog No.	Order No.
For use with PPG-H				
182	Hose & Cable Package (4.6 m / 15') (includes items 132, 159, 166 & 183)	—	PPH-H-15	1002320
183	Coaxial Cable, DC (6.4 m / 21')	2	PPH51741-21	1028795
184	Hose & Cable Package (10 m / 33') (includes items 132, 174-176,185-187)	—	PPH-H-33	1019254
185	Coaxial Cable, DC (11.9 m / 39')	2	PPH51741-39	1028796
186	Handle Extension Cable (5.5 m / 18')	1	PPH51824-18	1028798
187	Insulator, Silicone Rubber Tubing	1	7M604	1001502
188	Hose & Cable Package (15.2 m / 50') (includes items 132, 179-181, 187, 189 & 190)	—	PPH-H-50	1006079
189	Coaxial Cable, DC (17.1 m / 56')	2	PPH51741-56	1058191
190	Handle Extension Cable (10.7 m / 35')	1	PPH51824-35	1037492
For use with PPG-HE ⁽¹⁾				
182	Hose & Cable Package (4.6 m / 15')	—	PPH-H-15	1002320
191	Hose & Cable Package (10 m / 33') (includes items 132, 174-176,185, 187 & 192)	—	PPH-HE-33	1028793
192	Handle Extension Cable (5.5 m / 18')	1	PPH51796-18	1039409
193	Hose & Cable Package (15.2 m / 50') (includes items 179-181, 187, 189 & 194)	—	PPH-HE-50	1002321
194	Handle Extension Cable (10.7 m / 35')	1	PPH51796-35	1041238

1. PPG-HE is discontinued, however, hoses and cables are still available.

3.4 Extensions



Item No.	Description	Qty.	Catalog No.	Order No.
195	PPGT100 Gun Extension (1ft) 0° (Refer to MAN 40936) ⁽¹⁾	—	PPGT100	1002296
196	PPGT200 Gun Extension (2ft) 0° (Refer to MAN 40936)	—	PPGT200	1028771
197	PPGT190 Gun Extension (1ft) 90° (Refer to MAN 40936)	—	PPGT190	1002297
198	PPGT290 Gun Extension (2ft) 90° (Refer to MAN 40936)	—	PPGT290	1002298

1. Discontinued. Reference only.

PL 40933 EN 11 Released on: 12/03/2019

