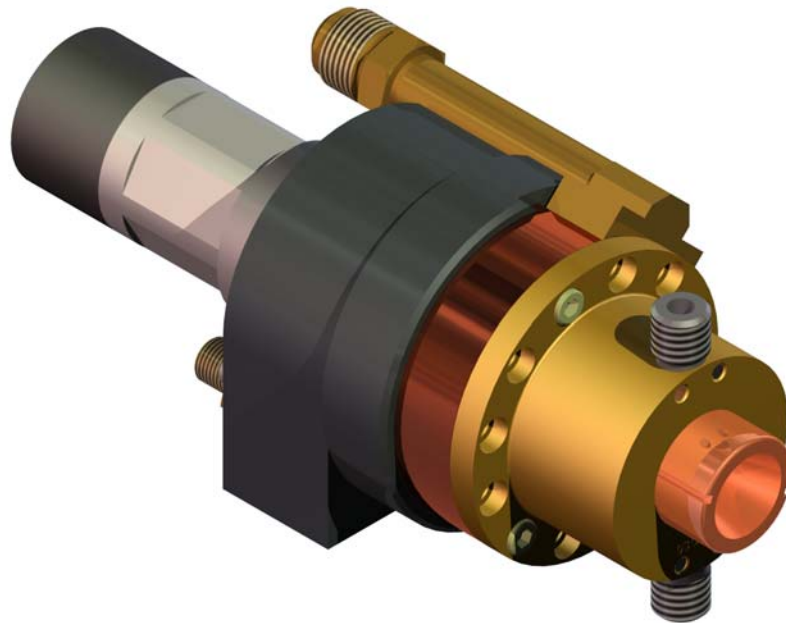


03CP Spray Gun Plasma Spraying


Parts List
PL 41940 EN 12




Oerlikon Metco (US) Inc.

1101 Prospect Avenue

Westbury NY 11590

 +1 516 334 1300

 +1 516 338 2414

www.oerlikon.com/metco

Spare Parts Categories

C = Consumable Parts

Parts subjected to major wear during normal operation. These parts require replacement on a regular basis.

Recommended in order to avoid downtimes.

W = Wear Parts

Parts used for maintenance service. These parts are likely and expected to wear out during the life of the product.

Wear parts are not subject to warranty.

K = Critical Parts

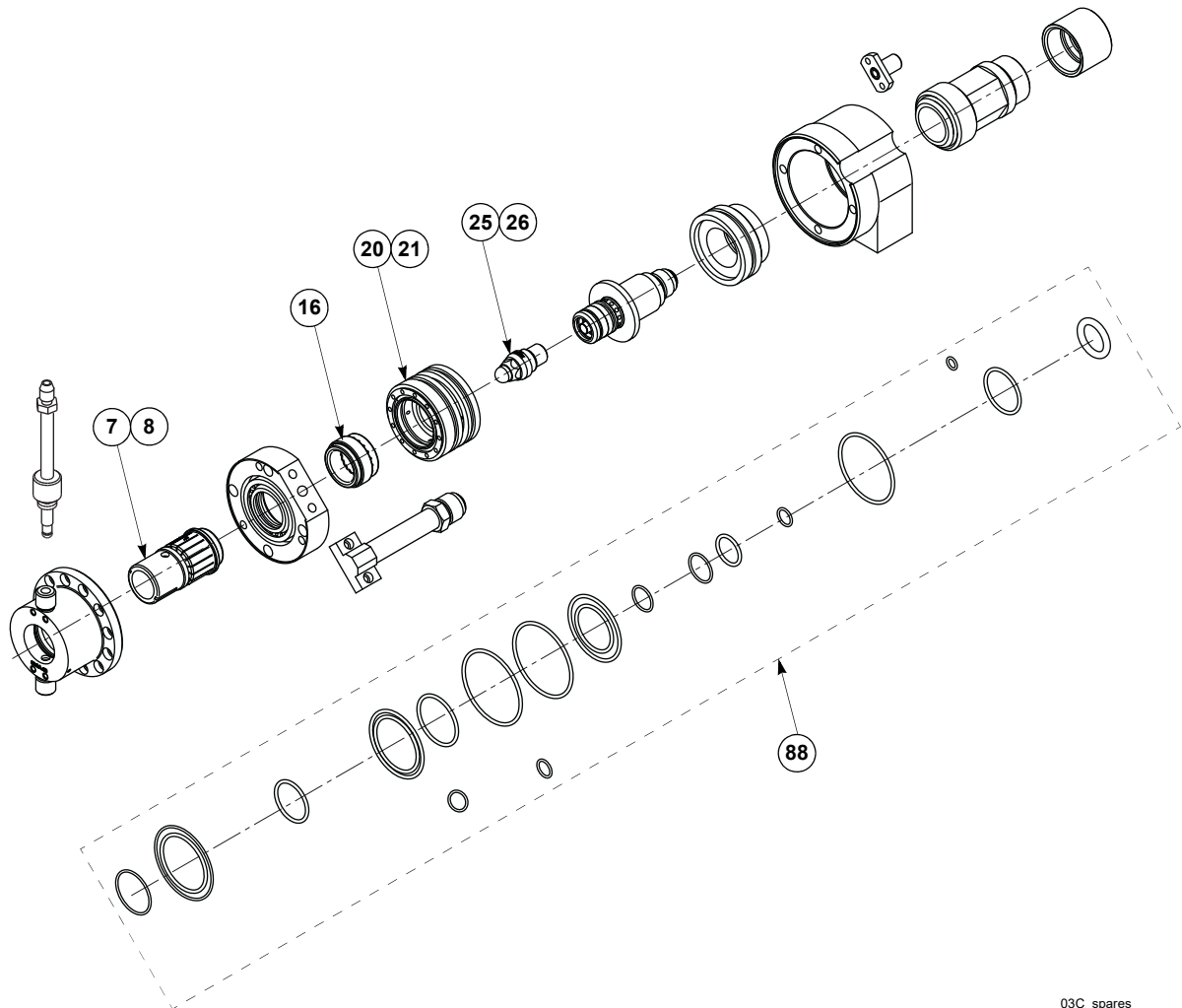
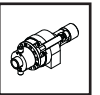
Parts recommended in order to guarantee maximum availability of component. This prevents downtime caused by delay in procurement.



Warranty Disclaimer

Installing non-Oerlikon Metco spare parts on Oerlikon Metco equipment voids the product warranty.

1 List of Recommended Spare Parts for 03CP Spray Gun



03C_spare

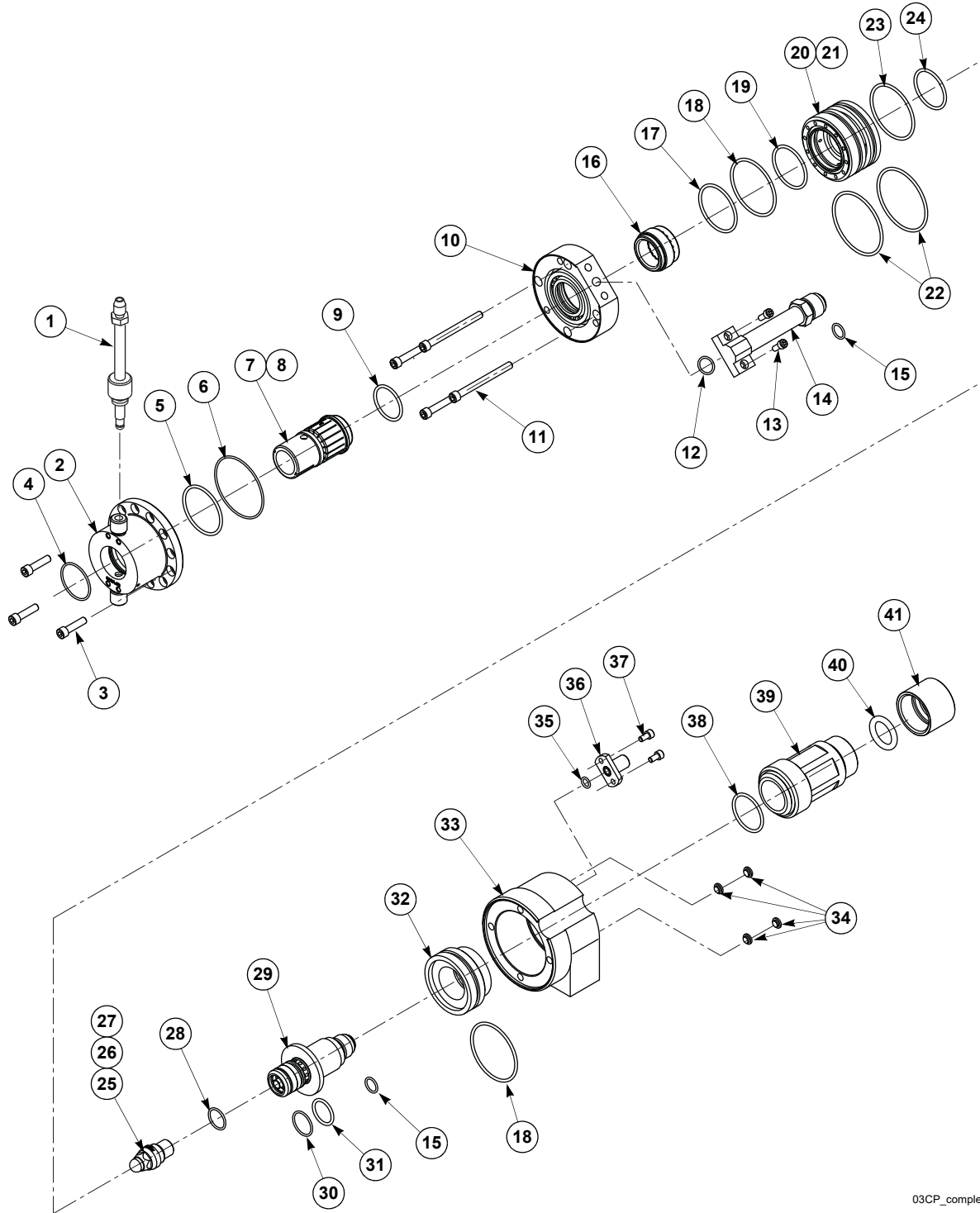
Item No.	Description	Qty.	Cat.	Catalog No.	Order No.
7 (1)	Anode (Nozzle)	1	C	03CA-141	1030465
8 (2)	Anode (Nozzle)	1	C	03CA-193-I2	1000033
16	Gas Ring	1	C	03CA-14C	1000030
20 (1)	Insulator Housing (Peek)	1	K	03CE-106	1000048
21 (2)	Insulator Housing (Teflon)	1	K	03CP57829	1014536
25 (1)	Cathode (Electrode)	1	C	03CA-82 (TF)	1088088
26 (2)	Cathode (Electrode)	1	C	03CA-9 (TF)	1088089
82	Ringlube	1	C	2M182	1000508
87	Hardware Package	1	K	K3243	1006427
88	Reseal Kit	1	W	K3273	1002000

- 1. 03CP
- 2. 03CP-CH

2 Parts List

03CP Spray Gun	(03CP)	1000049
03CP-CH Gun Version	(03CP-CH)	1015302

2.1 03CP Spray Gun Assembly



03CP_complete

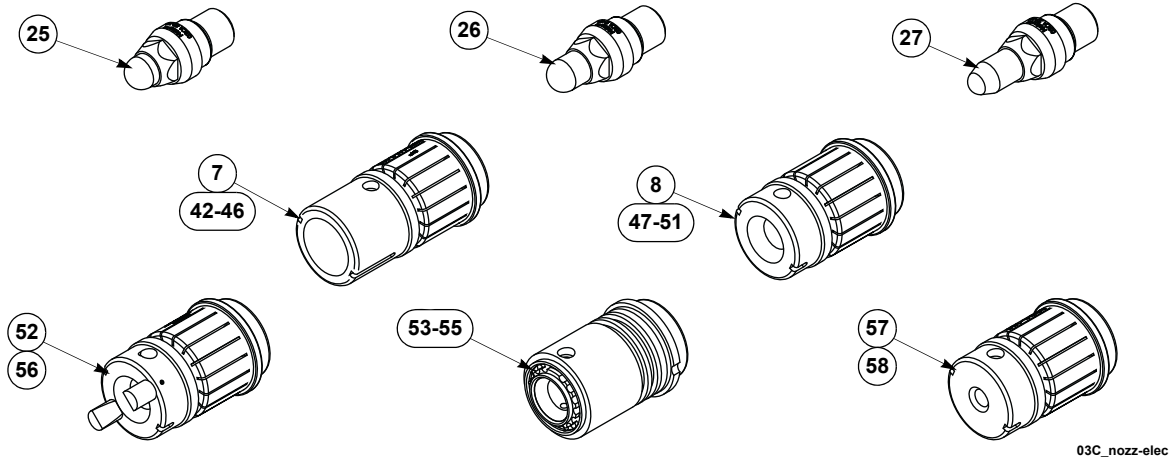


Item No.	Description	Qty.	Catalog No.	Order No.
1	Powder Injector (0°) Parker	2	3004	1018742
2	Anode Retainer	1	03CA-30	1000035
3	Cap Screw, 1/4-20 x 1	3	3MBTD20247	1038222
4	O-Ring, Black Viton, 1.364 x 0.07 in	1	2-028V	1000362
5	O-Ring, Black Viton, 1.799 x 0.103 in	1	2-133V	1000384
6	O-Ring, Black Viton, 2.364 x 0.07 in	1	2-036V	1000366
7 (1)	Anode	1	03CA-141	1030465
8 (2)	Anode	1	03CA-193-I2	1000033
9	O-Ring, Black Viton, 1.237 x 0.103 in	1	2-124V	1000377
10	Middle Gun Body	1	03CE-105	1000047
11	Cap Screw, 1/4-20 x 2-3/4"	4	—	—(3)
12	O-Ring, Black Viton, 0.551 x 0.07 in	1	2-015V	1006226
13	Cap Screw, 10-32 X 1/2"	2	03CP1640	1069039
14	Anode Extension	1	03CA-4	1000036
15	O-Ring, Black Viton, 0.489 x 0.07 in	2	2-014V	1000359
16	Gas Ring	1	03CA-14C	1000030
17	O-Ring, Black Viton, 1.737 x 0.103 in	1	2-132V	1000383
18	O-Ring, Black Viton, 2.175 x 0.103 in	2	2-139V	1000387
19	O-Ring, Black Viton, 1.549 x 0.103 in	1	2-129V	1000382
20 (1)	Insulator Housing (Peek)	1	03CE-106	1000048
21 (2)	Insulator Housing (Teflon)	1	03CP57829	1014536
22	O-Ring, Black Viton, 2.361 x 0.103 in	2	2-142V	1000389
23	O-Ring, Black Viton, 2.050 x 0.103 in	1	2-137V	1000386
24	O-Ring, Black Viton, 1.424 x 0.103 in	1	2-127V	1000381
25 (1)	Cathode (includes item 28)	1	03CA-82 (TF)	1088088
26 (2)	Cathode (includes item 28)	1	03CA-9 (TF)	1088089
27	Cathode (optional) (includes item 28)	—	03CA-27(TF)	1088086
28	O-Ring, Black Viton, 0.739 x 0.070 in	1	2-018V	1018375
29	Electrode Holder	1	03CD-010	1000041
30	O-Ring, Black Viton, 0.864 x 0.070 in	1	2-020V	1015536
31	O-Ring, Black Viton, 0.862 x 0.103 in	1	2-118V	1019922
32	Retainer Ring	1	03CD-102	1000043
33	Rear Main Gun Body	1	03CD-100	1000042
34 (2)	Closure Stud	4	M-4P-310021	1014718
35	O-Ring, Black Viton, 0.301 x 0.070 in	1	2-011V	1015535
36	Plasma Gas Fitting	1	03CA-6	1000037
37	Cap Screw, 10-32 X 3/8	2	—	—(3)
38	O-Ring, Black Viton, 1.362 x 0.103 in	1	2-126V	1000379
39	Negative Insulator Boot	1	03CD-104	1000044
40	O-Ring, Black Viton, 0.912 x 0.21 in	1	2-317V	1000426
41	Negative Insulator Nut	1	03CA-12	1000027

1. 03CP
2. 03CP-CH
3. Available only in Hardware Package, item 87.

2.2 Nozzles and Electrodes

The terms “anode” and “cathode” are interchangeable with “nozzle” and “electrode”, respectively. Standard nozzles and electrodes for each gun are noted below. All others are optional.



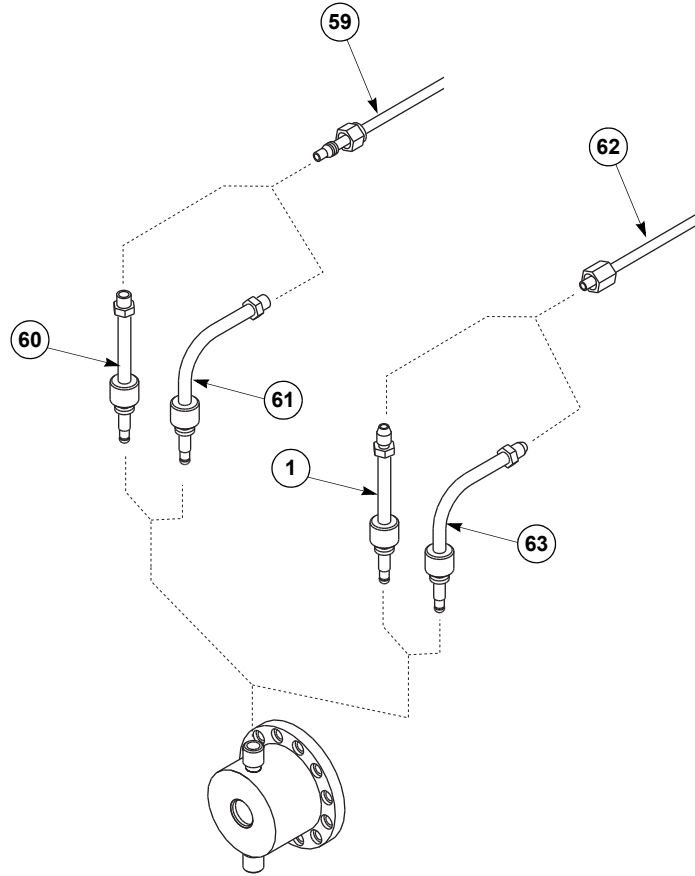
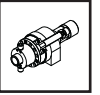
03C_nozz-elec

Nozzle (Anode)				Matching Electrode (Cathode)	
Item No.	Description	Catalog No.	Order No.	Catalog No.	Order No.
7	4 ports, with inserts ⁽¹⁾	03CA-141-4-I2-113 ⁽¹⁾	1030465	03CA-82(TF) ⁽¹⁾ (Item 25)	1088088
42	2 ports	03CA-141-2-093	1000028		
43	2 ports, with inserts	03CA-141-2-I2-113	1030463		
44	2 ports, with inserts, tungsten lined	03CA-141-2-I2-113W	1060759		
45	2 ports, with inserts	03CA-141-2-I2-140	1030464		
46	2 ports	03CA-142-2	1039415		
8	2 ports, with inserts ⁽²⁾	03CA-193-I2 ⁽²⁾	1000033	03CA-9(TF) ⁽²⁾ (Item 26)	1088089
47	2 Port, 30-60 Torr	03CA-188	1000032		
48	2 ports	03CA-93-2	1020081		
49	4 ports	03CA-111	1030455		
50	4 ports, with 2 inserts	03CA-111-4-I2-120ID	1030462		
51	2 ports	03CA-141-2-113	1065597		
52	03CA-193 with sputter pins	M-3P-310017	1006419		
53	2 ports, tungsten lined	128384 (03CA-270-TF)	1093105		
54	2 ports, tungsten lined	131960 (03CA-271-TF)	1093106		
55	2 ports, tungsten lined	132219 (03CA-264-TF)	1093107		
56	2 ports, with tungsten bolts	131178 (03CA-193-I2-TF)	1093133		
57	1 port ⁽³⁾	03CA-156 ⁽³⁾	1030457	03CA-27(TF) ⁽³⁾ (Item 27)	1088086
58	2 ports, with inserts ⁽³⁾	03CA-167-2-I2 ⁽³⁾	1000031		

1. Standard nozzle and electrode supplied with 03CP.
2. Standard nozzle and electrode supplied with 03CP-CH.
3. All anodes to be used in vacuum, except for 03CA-156 and 03CA-167 (atmosphere).

3 Optional Equipment

3.1 Powder Injectors and Adapters



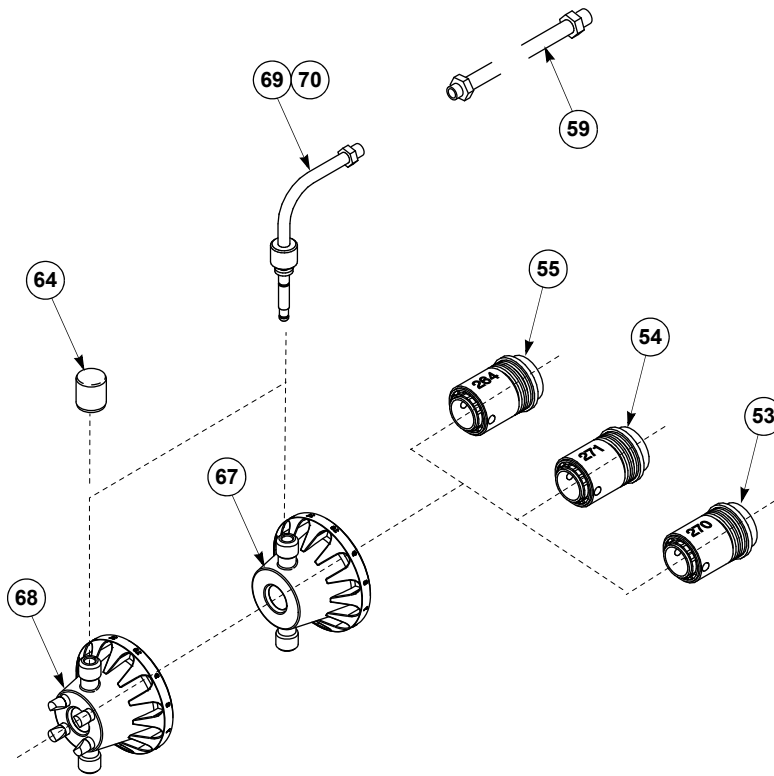
03C_injectors

Item No.	Description	Qty.	Catalog No.	Order No.
1 ⁽¹⁾	Powder injector straight (Parker)	2	3004	1018742
59	Powder hose heat protected (3m)	—	M-PD-100002	1004575
60	Powder injector straight (Swagelock)	—	M-3P-680007	1014683
61	Powder injector 90° (Swagelock)	—	M-3P-680008	1004565
62	Powder hose (Parker)	—	190-390P-9	1000346
63	Powder injector 90° (Parker)	—	M-3P-680010	1036982
64	Closing Plug	—	M-4P-680012	1014856

1. Standard; supplied with 03CP Spray Gun.

PL 41940 EN 12 Released on: 08/14/2019

3.2 Optional Equipment for Type 2 Anode Retainer



CAUTION

All parts to be used only with Type 2 anode retainer, items 67 or 68.

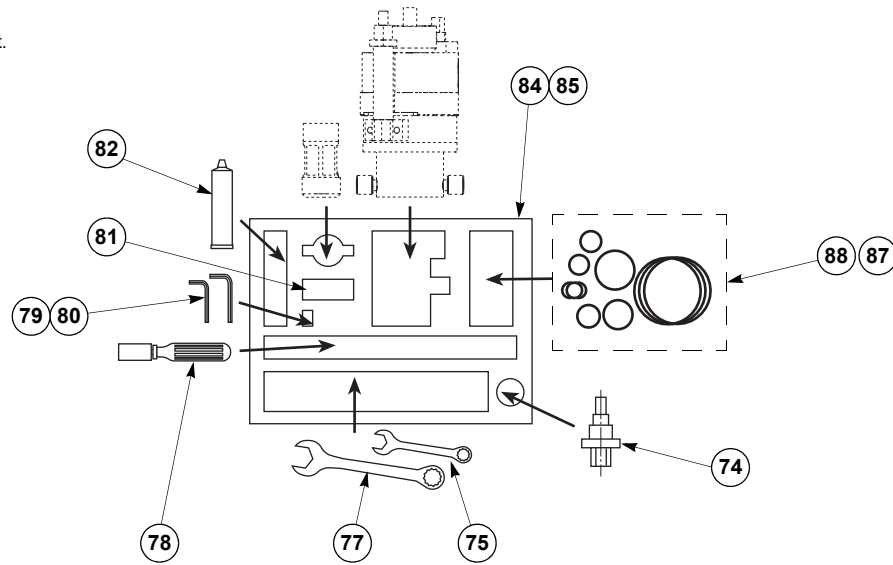
03C-type2options

Item No.	Description	Qty.	Catalog No.	Order No.
53	Anode (type 270) ⁽¹⁾ (includes items 9, 65 & 66)	—	M-3P-310014	1004555
54	Anode (type 271) ⁽¹⁾ (includes items 9, 65 & 66)	—	M-3P-310015	1004556
55	Anode (type 264) ⁽¹⁾ (includes items 9, 65 & 66)	—	M-3P-310008	1014533
65	O-Ring, Viton, 30 x 2.5 mm	3	291030-12	1003396
66	O-Ring, Viton, 20 x 2 mm	1	343007-01	1003746
59	Powder hose heat protected (3m)	—	M-PD-100002	1004575
64	Closing Plug	—	M-4P-680012	1014856
67	Anode retainer Type 2	—	M-2P-310004	1306492
68	Anode retainer Type 2 with sputter pins	—	M-3P-310041	1302272
69	Powder injector, Swagelock	—	M-3P-310001	1004553
70	Powder injector, Parker	—	—	1020336

1. Use with cathode 03CA-9(TF), item 26.

3.3 Tools and Spares

NOTE:
Arrangement of items
in case may be different.



03c_tools

Item No.	Description	Qty.	Catalog No.	Order No.
71 (1)	Gun Case	1	—	—
72	Powder Port Plug (two-piece; optional)	—	M-4P-680012	1014856
73 (2)	Tool Kit (Includes items 74-81)	1	349000-18	1009357
74	Anode Alignment Tool	1	T2091	1016547
75 (2)	Wrench, 9/16"	1	349010-27	1009389
76 (2)	Wrench, 1-1/8"	1	349010-26	1009388
77 (2)	Wrench, 1"	1	349010-25	1009387
78	Driver Handle	1	03CX54263	1035112
79	Hex Wrench, 5/32"	1	3M645	1031695
80	Hex Wrench, 3/16"	1	2M254	1035103
81	5/8" Socket	1	03CX54262	1035111
82	Ringlube	1	2M182	1000508
83 (2)	O-Ring Grease	1	349020	1003770
84 (2)	Wood Case	1	349000-50	1009358
85 (2)	Foam Rubber Insert	1	349000-64	1009365
86 (2)	Foam Rubber Insert	1	—	—
87 (2)	Hardware Package (Not shown; includes the following items:)	1	K3243	1006427
—	Cap Screw, 1/4-20 X 1 (Equivalent to item 3.)	3	—	—
11	Cap Screw, 1/4-20 X 2-3/4	4	—	—
—	Cap Screw, 10-32 X 1/2 (Equivalent to item 13.)	2	—	—
37	Cap Screw, 10-32 X 3/8	2	—	—
— (3)	Cap Screw, 1/4-20 X 5/8	4	—	—

(Continued)

PL 41940 EN 12 Released on: 08/14/2019

(Continued)

Item No.	Description	Qty.	Catalog No.	Order No.
88	Reseal Kit (Includes the following items:)	1	K3273	1002000
4	O-Ring, Black Viton, 1.364 x 0.07 in	1	2-028V	1000362
5	O-Ring, Black Viton, 1.799 x 0.103 in	1	2-133V	1000384
6	O-Ring, Black Viton, 2.364 x 0.07 in	1	2-036V	1000366
9	O-Ring, Black Viton, 1.237 x 0.103 in	1	2-124V	1000377
12	O-Ring, Black Viton, 0.551 x 0.07 in	1	2-015V	1006226
15	O-Ring, Black Viton, 0.489 x 0.07 in	2	2-014V	1000359
17	O-Ring, Black Viton, 1.737 x 0.103 in	1	2-132V	1000383
18	O-Ring, Black Viton, 2.175 x 0.103 in	2	2-139V	1000387
19	O-Ring, Black Viton, 1.549 x 0.103 in	1	2-129V	1000382
22	O-Ring, Black Viton, 2.361 x 0.103 in	2	2-142V	1000389
23	O-Ring, Black Viton, 2.050x0.103 in	1	2-137V	1000386
24	O-Ring, Black Viton, 1.424 x 0.103 in	1	2-127V	1000381
28	O-Ring, Black Viton, 0.739 x 0.07 in	1	2-018V	1018375
30	O-Ring, Black Viton, 0.864 x 0.07 in	1	2-020V	1015536
31	O-Ring, Black Viton, 0.862 x 0.103 in	1	2-118V	1019922
35	O-Ring, Black Viton, 0.301 x 0.07 in	1	2-011V	1015535
38	O-Ring, Black Viton, 1.362 x 0.103 in	1	2-126V	1000379
40	O-Ring, Black Viton, 0.912 x 0.21 in	1	2-317V	1000426
— (3)	O-Ring, Black Viton, 1.86 x 0.07 in	1	2-032V	1017808

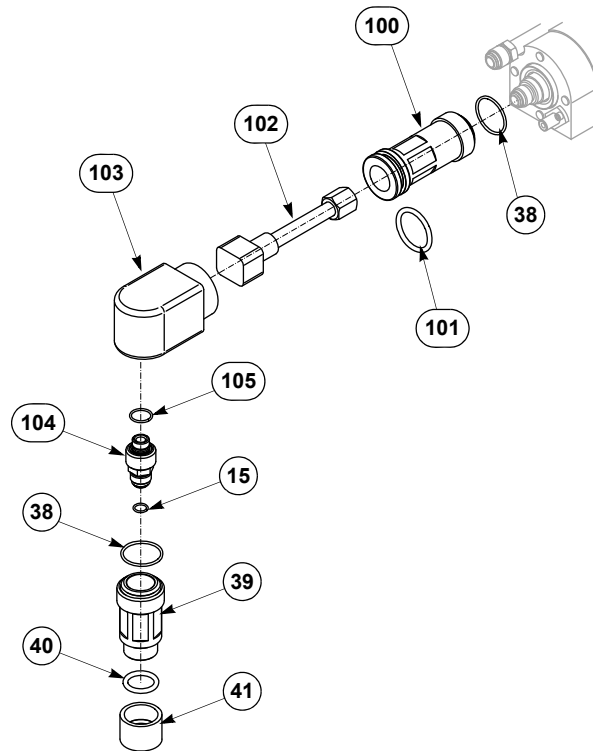
1. 03CP only.
2. Optional; supplied standard with 03CP-CH only.
3. Not used in 03CP Spray Gun.

3.4 Hoses / Cables

Water-cooled gun cables are listed below. They are available in various lengths, only in pairs (not individually). Plasma gas hoses are supplied with the controller. Powder hoses are supplied with the powder feeder or selected based on the spraying application.

Item No.	Description	Qty.	Catalog. No.	Order No.
89	Water-Cooled Hoses (+ & -), 0.9 m (36")	—	190-600-3	1072349
90	Water-Cooled Hoses (+ & -), 1.5 m (60")	—	190-600-5	1031533
91	Water-Cooled Hoses (+ & -), 1.8 m (72")	—	190-600-6	1000349
92	Water-Cooled Hoses (+ & -), 2.1 m (84")	—	190-600-7	1000350
93	Water-Cooled Hoses (+ & -), 2.4 m (96")	—	190-600-8	1031534
94	Water-Cooled Hoses (+ & -), 2.7 m (108")	—	190-600-9	1000351
95	Water-Cooled Hoses (+ & -), 3.0 m (120")	—	190-600-10	1031532
96	Water-Cooled Hoses (+ & -), 3.7 m (144")	—	190-600-12	1000347
97	Water-Cooled Hoses (+ & -), 4.3 m (168")	—	190-600-14	1000348
98	Water-Cooled Hoses (+ & -), 4.6 m (180")	—	190-600-15	1037493

3.5 90° Cathode Adapter



03C_90_cath

Item No.	Description	Qty.	Catalog No.	Order No.
99	90° Cathode Adapter 03C	—	—	1302404
15	O-Ring, Black Viton, 0.489 x 0.07 in	1	2-014V	1000359
38	O-Ring, Black Viton, 1.362 x 0.103 in	2	2-126V	1000379
39	Negative Insulator Boot	1	03CD-104	1000044
40	O-Ring, Black Viton, 0.912 x 0.21 in	1	2-317V	1000426
41	Negative Insulator Nut	1	03CA-12	1000027
100	Insulator (Lower)	1	—	—
101	O-Ring, Viton, 42x5 mm	1	701201	1003981
102	90° Connection	1	—	—
103	Insulator (Top)	1	—	—
104	Adapter, Cathode 7/8-14 UNF	1	—	—
105	O-Ring, Viton, 20x2 mm	1	343007-01	1003746

PL 41940 EN 12 Released on: 08/14/2019

