

16E Spray Gun

Combustion Wire Spraying


Parts List
PL 96151 EN 09




Oerlikon Metco (US) Inc.

1101 Prospect Avenue

Westbury NY 11590

 +1 516 334 1300

 +1 516 338 2414

www.oerlikon.com/metco

Spare Parts Categories

C = Consumable Parts

Parts subjected to major wear during normal operation. These parts require replacement on a regular basis.

Recommended in order to avoid downtimes.

W = Wear Parts

Parts used for maintenance service. These parts are likely and expected to wear out during the life of the product.

Wear parts are not subject to warranty.

K = Critical Parts

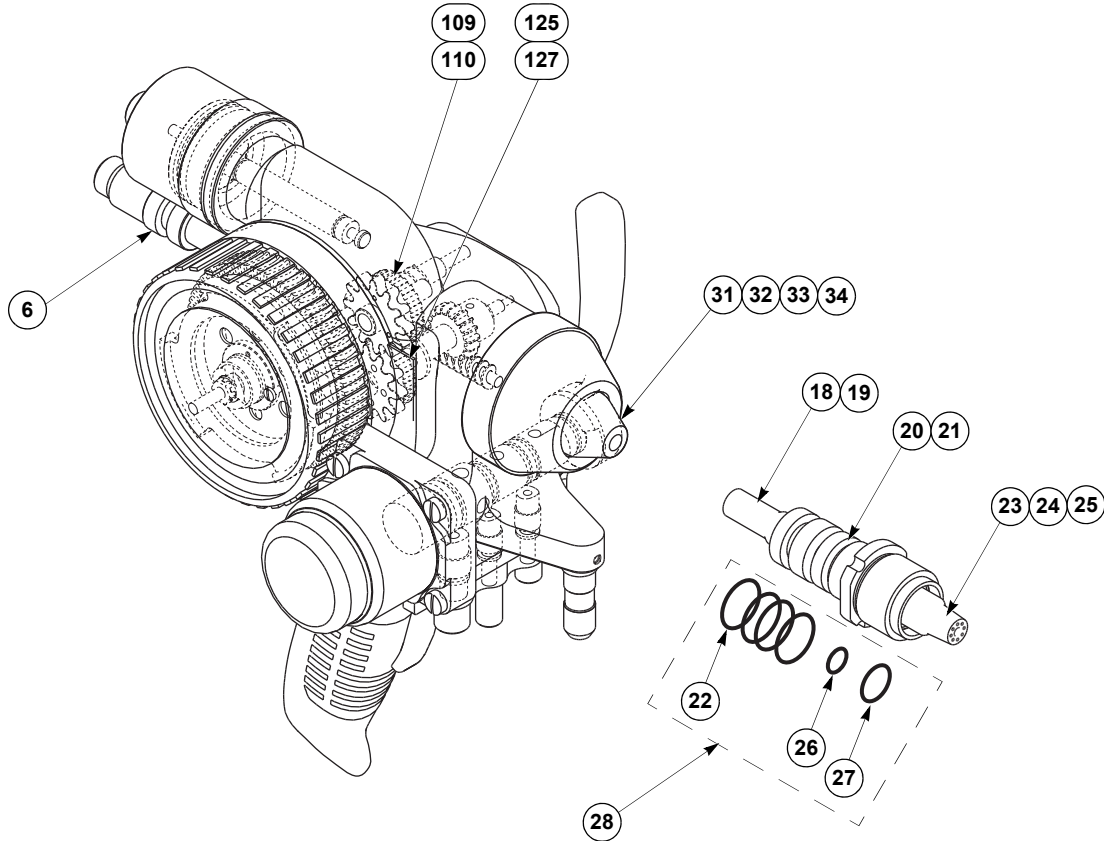
Parts recommended in order to guarantee maximum availability of component. This prevents downtime caused by delay in procurement.



Warranty Disclaimer

Installing non-Oerlikon Metco spare parts on Oerlikon Metco equipment voids the product warranty.

1 List of Recommended Spare Parts for 16E Spray Gun



16e_cutaway

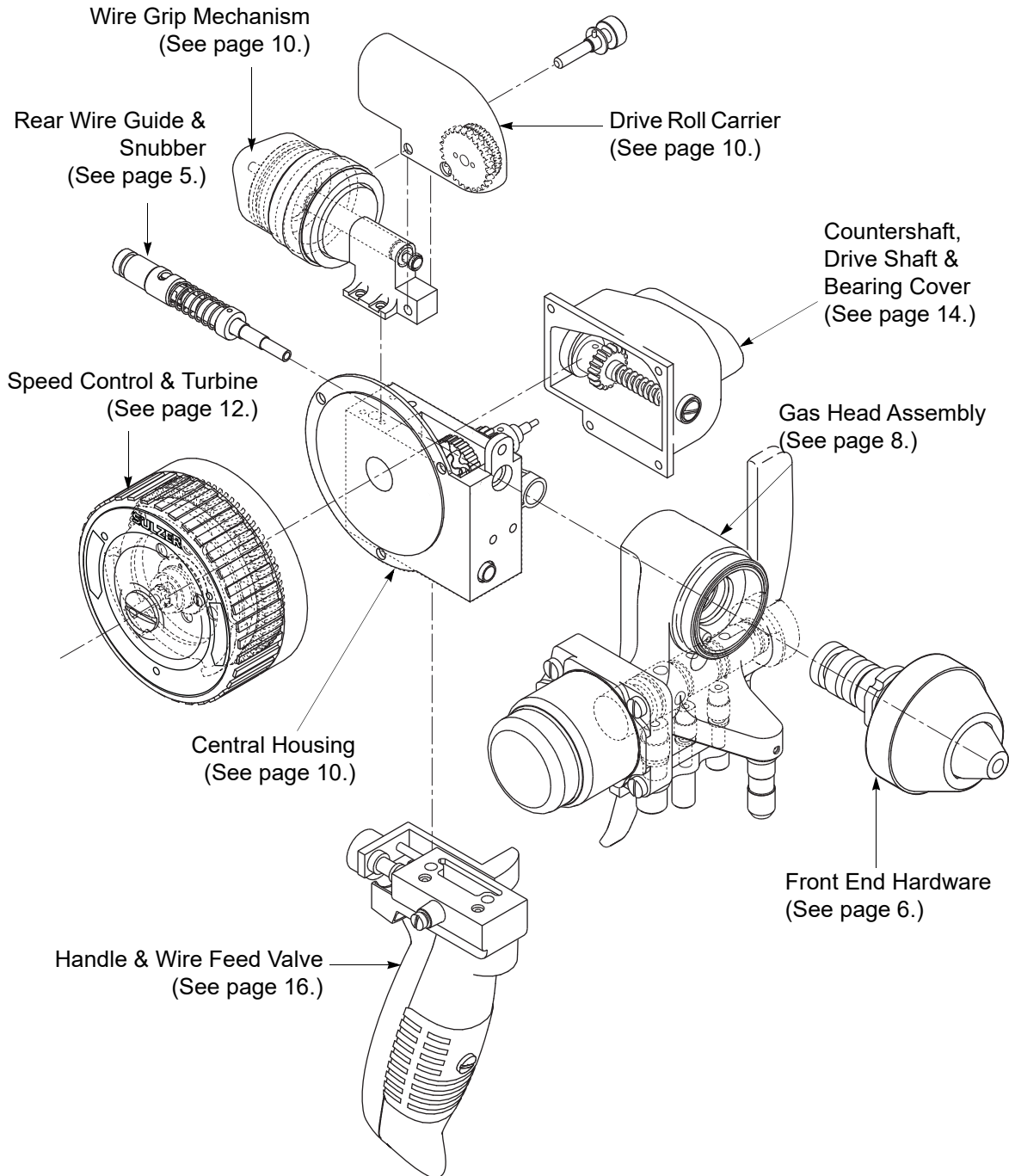
Item No.	Description	Qty.	Cat.	Catalog No.	Order No.
6	Snubber Roller	1	C	7E242	1001443
18, 19	Front Wire Guide	1	C	See page 6.	
20, 21	Siphon Plug Assembly	1	C	See page 6.	
22	Siphon Plug O-rings (pkg. 4)	4	W	11E14	1000143
23, 24	Nozzle	1	C	See page 6.	
26	Nozzle O-ring, Small (pkg. 2)	1	W	11E109	1004714
27	Nozzle O-ring, Large (pkg. 2)	1	W	11E108	1000138
28	Siphon Plug & Nozzle Reseal Kit (incl. items 22, 26&27)	1	W	11E190	1000152
31 – 34	Air Cap	1	C	See page 6.	
109, 110	Upper Drive Roll	1	C	See page 10.	
125, 127	Lower Drive Roll	1	C	See page 10.	
205	Krytox®	1	C	16E97041	1070061
206	Gearlube (pkg. 3)	1	C	12E110	1000245
210	Gas Head Valve Reseal Kit	1	W	12E184	1000254

PL 96151 EN 09 Released on: 11/29/2018

2 Parts List for 16E Spray Gun

16E Hand Held Wire Gun	(16E)	1069185
16E-H High Speed Wire Gun	(16E-H)	1069186
16E-P Wire Gun - Propane	(16E-P)	1069187
16E-HT High-Throughput Wire Gun	(16E-HT)	1070667

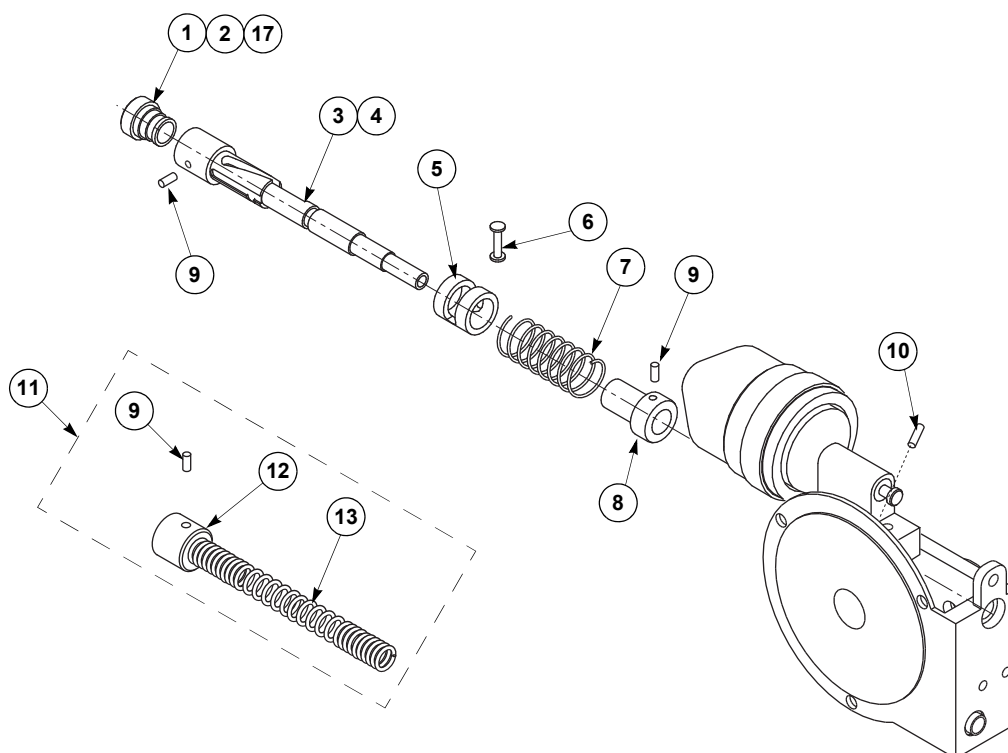
2.1 Overview



PL 96151 EN 09 Released on: 11/29/2018

16e_subassys

2.2 Rear Wire Guide and Snubber Assembly



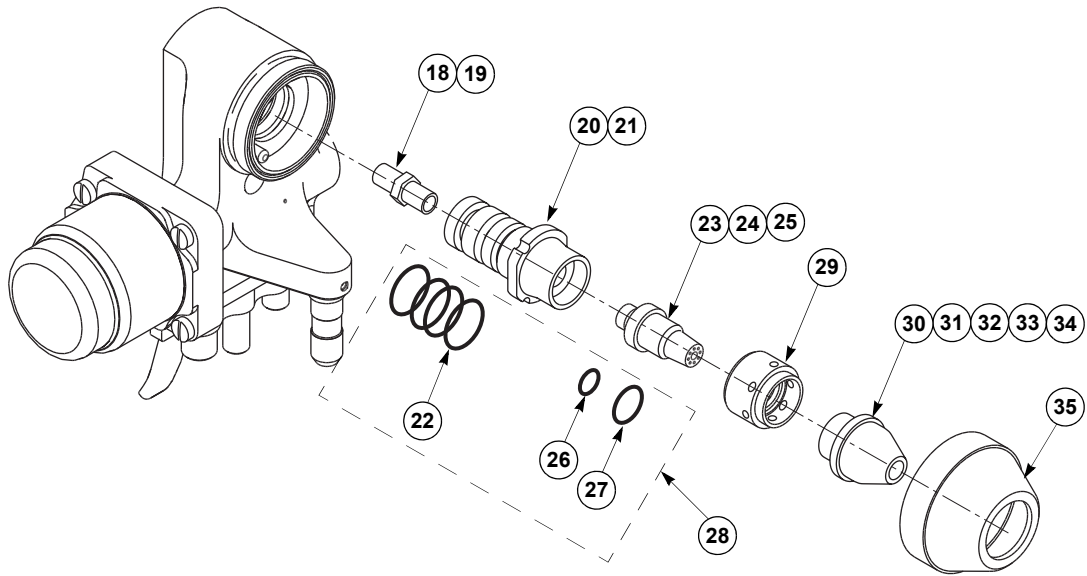
16e_snubber

Item No.	Description	Qty.	Catalog No.	Order No.
1 (1)	Insert, 1/8-11 Ga.	1	10E187-18	1000095
2 (2)(3)	Insert 3/16-1/8 Ga.	1	10E187-316	1000096
3 (1)	Rear Snubbing Wire Guide, 1/8-11GA	1	12E147	1004735
4 (2)(3)	Rear Snubbing Wire Guide, 3/16-1/8	1	11E188	1000151
5	Snubber Spring Housing	1	7E243	1001444
6	Roller	1	7E242	1001443
7	Compression Spring	1	7E245	1001445
8	Spring Retainer	1	11E241	1000163
9	Hex Set Screw, M4 X 5	3	11E67	1000184
10	Hex Set Screw, M4 X 10	(pkg. 5)	11E25	1000164
11	Strain Relief Assembly	(incl. items 9, 12 & 13)	12E143	1000250
12	Bushing	1	12E144	1000251
13	Spring	1	10E163	1000090
Optional Snubbers				
14	Wire Snubber Assembly, 1/8-11 Ga.	(incl. items 1, 3 & 5-9)	12E118-18	1000247
15	Wire Snubber Assembly, 3/16-1/8	(incl. items 2, 4 & 5-9)	11E118	1000139
16	Wire Snubber Assembly, 15 Ga.	(incl. items 5-9 & 17)	14E118-15	1000246
17	Wire Guide - Small Gauge	1	14E54075	1041478

- 1. 16E
- 2. 16E-H & 16E-HT
- 3. 16E-P

PL 96151 EN 09 Released on: 11/29/2018

2.3 Front End Hardware



16e_frontend

Item No.	Description	Qty.	Catalog No.	Order No.
18 (1)	Front Wire Guide (1/8" & 11 Ga.)	1	12E23-18	1000258
19 (2)(3)(4)	Front Wire Guide (3/16" & 1/8")	1	11E23	1000160
20 (1)(2)	Siphon Plug, Acetylene (includes item 22)	1	12E2-5	1000259
21 (3)(4)	Siphon Plug, Propane / MPS (includes item 22)	1	12E2-6	1000260
22	O-Ring, Black Viton, 0.676 x 0.07 in (pkg. 4)	4	11E14	1000143
23 (1)(2)	Nozzle, Acetylene, 1/8" (includes items 26&27)	1	12E7-48	1000290
24 (3)(4)	Nozzle, Propane, 3/16" (includes items 26&27)	1	12E7-43	1000286
25 (3)(4)	Nozzle, Propane, 1/8" (includes items 26&27)	1	12E7-49	1000291
26	O-Ring, Black Viton, 0.270 x 0.07 in (pkg. 2)	1	11E109	1004714
27	O-Ring, Black Viton, 0.551 x 0.07 in (pkg. 2)	1	11E108	1000138
28	Siphon Plug & Nozzle Reseal Kit (incl. items 22, 26&27)	1	11E190	1000152
29	Nozzle Nut	1	12E6	1000270
30 (1)(3)	Air Cap, C	1	Y3-C	1002413
31 (1)(3)(4)	Air Cap, EC	1	8E3-EC	1001570
32 (2)(4)	Air Cap, CH, Non Load	1	3K3-CH	1000664
33 (3)(4)	Air Cap, EA	1	3K3-EA	1000666
34 (3)(4)	Air Cap, AH, Non Load	1	3K3-AH	1000662
35	Air Cap Body	1	11E1	1000134

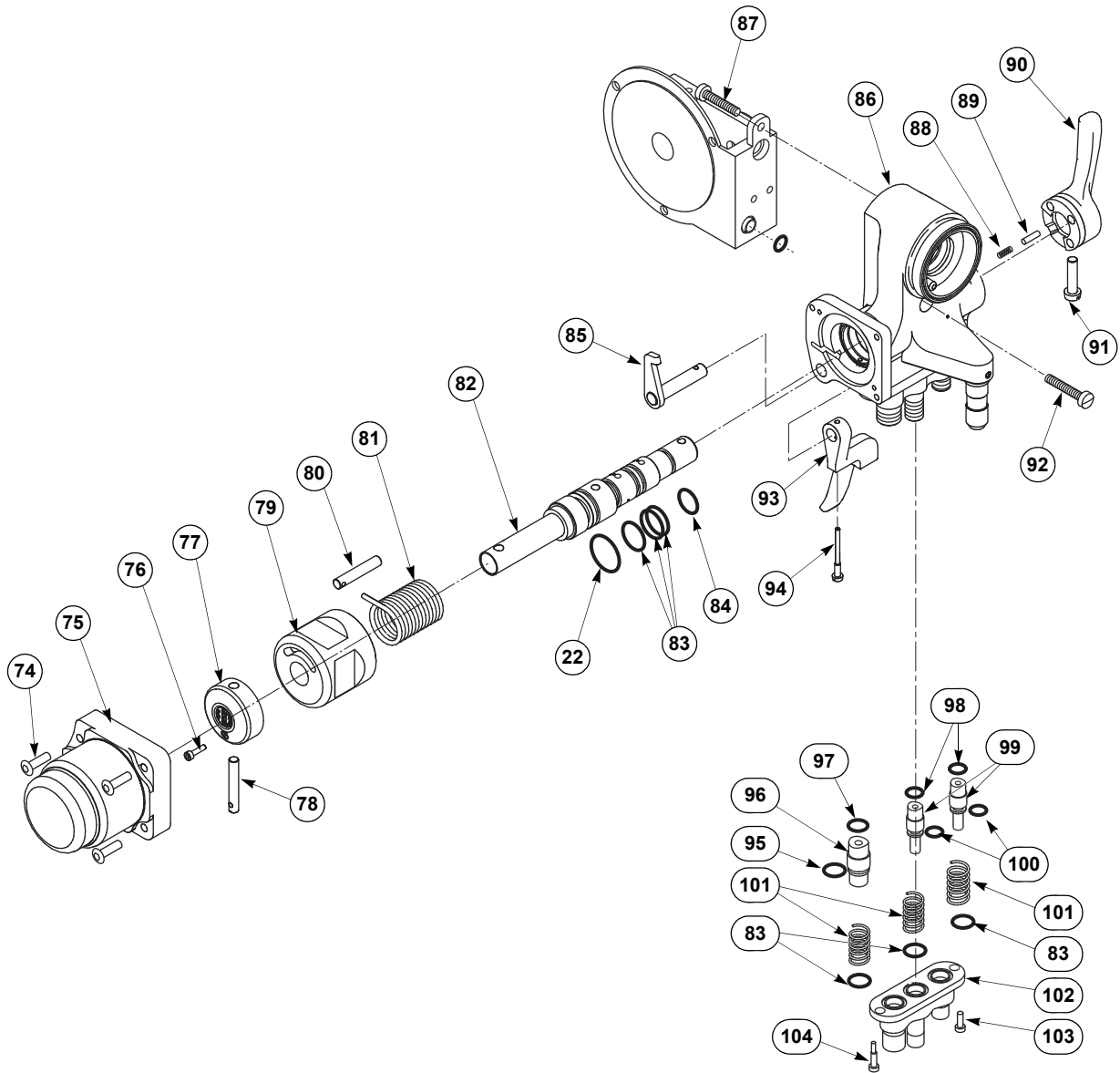
1. 16E
2. 16E-H
3. 16E-P
4. 16E-HT



2.3.1 Optional Front End Parts and Packages (Not Illustrated)

Item No.	Description	Catalog No.	Order No.
Wire Guide			
36	Front Wire Guide (15-20 Ga.)	12E23-15	1000257
Siphon Plug			
37	Small Gauge (includes item 22)	12E2-7	1000261
38	Propane / MPS, Small Gauge (includes item 22)	12E2-8	1000262
39	Acetylene, 3/16" (includes items 19, 20, 22, 29, & 60.)	12E200-1	1000255
40	Acetylene, 1/8" & 11 Ga. (includes items 18, 20, 22, 23, & 29.)	12E200-2	1000256
Nozzle (includes O-rings, items 26 & 27.)			
41	5/32" Acetylene	14E7-51	1004756
42	3/16" Acetylene	12E7-42	1000285
43	11 Ga. Acetylene	12E7-35	1000280
44	15 Ga. Acetylene	12E7-29	1000275
45	5/32" Propane	14E7-52	1000320
46	11 Ga. Propane	12E7-37	1000282
47	15 Ga. Propane	12E7-31	1000277
48	3/16" MPS	12E7-44	1031129
49	1/8" MPS	12E7-25	1000272
50	11 Ga. MPS	12E7-39	1004743
51	15 Ga. MPS	12E7-33	1000279
52	3/16" Acetylene (Non-Load)	12E7-45	1000287
53	1/8" Acetylene (Non-Load)	12E7-26	1000273
54	11 Ga. Acetylene (Non-Load)	12E7-36	1000281
55	15 Ga. Acetylene (Non-Load)	12E7-30	1000276
56	3/16" Propane (Non-Load)	12E7-46	1000288
57	1/8" Propane (Non-Load)	12E7-27	1000274
58	11 Ga. Propane (Non-Load)	12E7-38	1000283
59	15 Ga. Propane (Non-Load)	12E7-32	1000278
60	3/16" MPS (Non-Load)	12E7-47	1000289
61	1/8" MPS (Non-Load)	12E7-28	1031126
62	11 Ga. MPS (Non-Load)	12E7-40	1031128
63	15 Ga. MPS (Non-Load)	12E7-34	1031127
64	11 Ga. Sprabond	12E7-41	1000284
Air Cap			
65	AM	3K3-AM	1000663
66	CHM Non Load	3K3-CHM	1000665
67	JH Non Load	3K3-JH	1000667
68	MH Non Load	3K3-MH	1000668
69	J	4E3-J	1000835
70	M	4E3-M	1000836
71	CD Fan Spray	4E4-CD	1000841
72	AB Fan Spray	Y4-AB	1002414

2.4 Gas Head Assembly



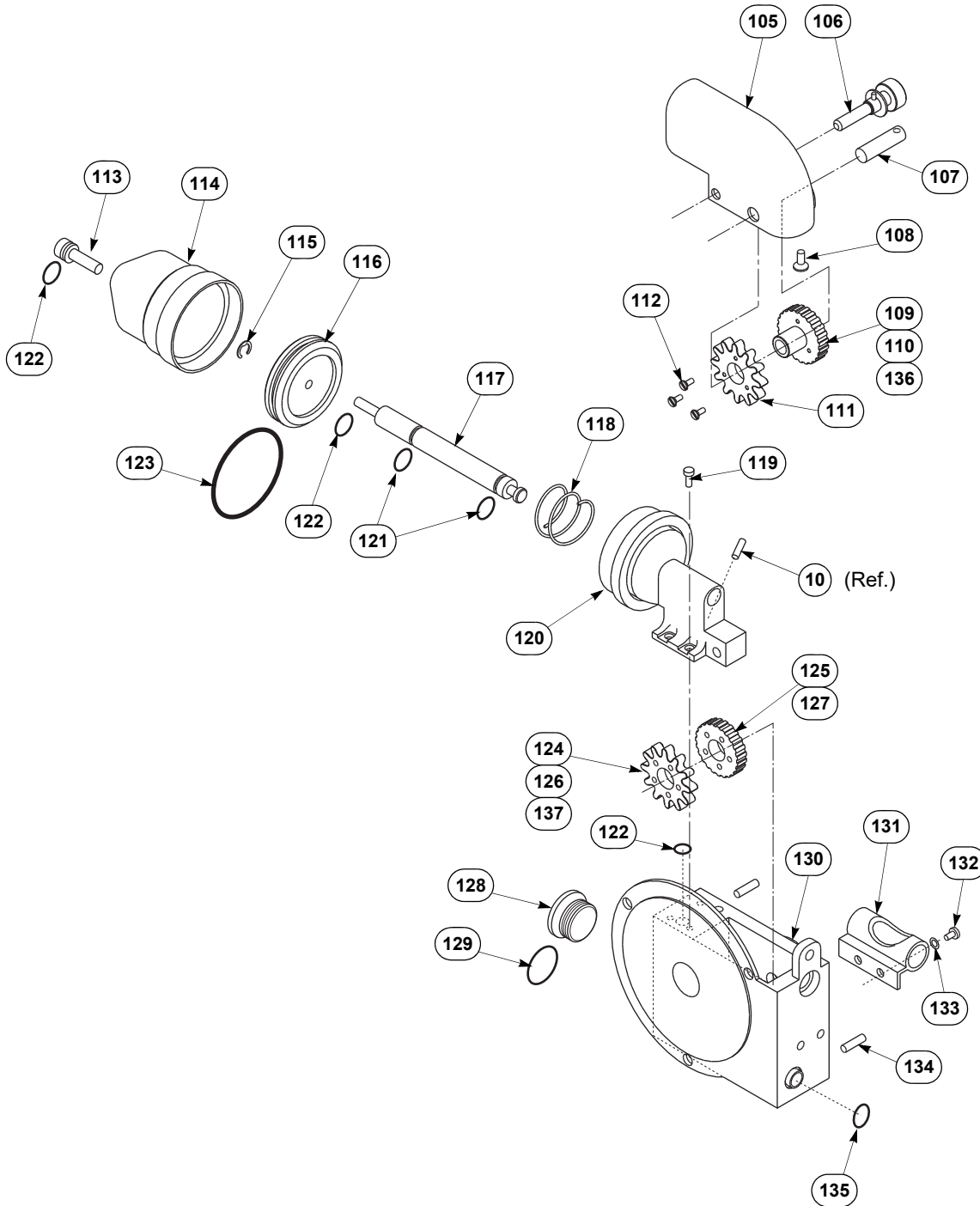
16e_gas_head

PL 96151 EN 09 Released on: 11/29/2018



Item No.	Description	Qty.	Catalog No.	Order No.
22	O-Ring, Black Viton, 0.676 x 0.07 in (pkg. 4)	1	11E14	1000143
73	16E Gas Head Assembly (includes items 74-104.)	1	16E93619	1069259
74	Screw, M4 x 12 mm	3	16E96543	1070401
75	Torsion Ring Cover	1	16E95791	1069272
76	Screw, M2.5 x 10mm	1	16E94199	1069269
77	End Cap	1	16E94186	1070404
78	End Cap Pin	1	16E95740	1069268
79	Torsion Ring	1	16E94190	1069264
80	Spring Bushing	1	16E94188	1069271
81	Torsion Spring	1	16E95743	1069267
82	Valve Core	1	16E93647	1069266
83	O-Ring, Black Viton, 0.489 x 0.07 in	6	2-014V	1000359
	O-Ring, Black Viton, 0.489 x 0.07 in (pkg. 6)		CU195	1001787
84	O-Ring, Black Viton, 0.426 x 0.07 in (pkg. 2)	1	7M51	1001493
85	Pawl & Shaft Assembly	1	16E95907	1069263
86	Gas Head Sub-assembly	1	16E93621	1069265
87	Screw, M5 X 16 (pkg. 5)	1	11E96	1000212
88	Compression Spring	1	3K317	1000660
89	Detent Pin	1	16E94194	1069260
90	Valve Handle	1	16E95750	1069270
91	Screw, M5 X 20mm (pkg. 2)	1	14E34884	1064020
92	Screw, M5 X 35 (pkg. 5)	2	11E97	1000213
93	Safety Handle	1	16E94195	1069261
94	Screw	1	16E95892	1069262
95	O-Ring, Buna-N, 0.301 X 0.070 (pkg. 2)	1	L186	1002023
96	Plunger, Air	1	10E166	1000091
97	O-Ring, PU, 0.239 x 0.70 in	1	3K305	1000656
98	O-Ring, Black Viton, 0.176 x 0.07 in (pkg. 2)	2	3K306	1000657
99	Plunger, Fuel Gas & Oxygen	2	3K303	1000654
100	O-Ring, Buna, 0.239 x 0.07 in	2	4EFC56	1000861
101	Compression Spring (pkg. 3)	3	3K307	1000658
102	Hose Block	1	10E176	1000092
103	Screw, M6 x 0.312	1	11E157	1000147
104	Screw, M6 x 0.333	1	11E179	1000149

2.5 Wire Grip Mechanism, Drive Rolls and Central Housing



PL 96151 EN 09 Released on: 11/29/2018

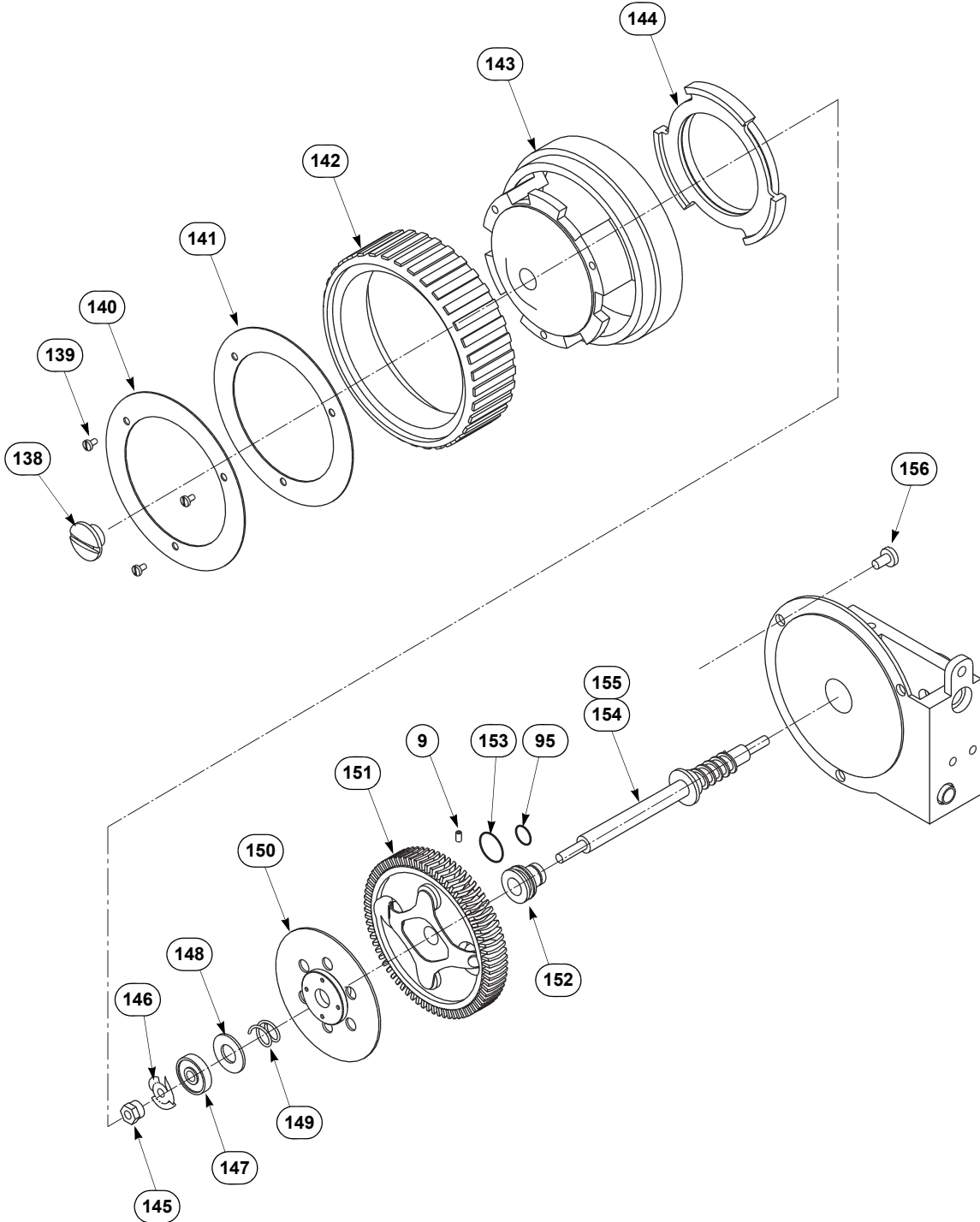
16e_wire_drive



Item No.	Description	Qty.	Catalog No.	Order No.
105	Drive Roll Carrier	1	11E136	1000142
106	Pivot Pin	1	8E30	1001568
107	Drive Roll Axle	1	11E37	1000174
108	Screw (pkg. 5)	1	11E26	1000165
109 (1)	Upper Drive Roll, 1/8-15 Ga.	1	12E32-18	1000264
110 (2),(3)	Upper Drive Roll, 3/16-1/8	1	11E32	1000169
111	Upper Drive Gear	1	11E33	1000171
112	Screw	3	11E34	1000173
113 (4)	Stop Screw, 10-32 X 1/2	1	7E93	1001447
114 (4)	Cylinder	1	14E209	1000314
115 (4)	Retaining Ring, 0.187	1	7E189	1001439
116 (4)	Piston	1	14E207	1000312
117 (4)	Piston Rod	1	7E138	1001437
118 (4)	Spring	1	7E177	1001438
119 (4)	Screw, M4 X 10 (pkg. 3)	3	11E127	1000140
120 (4)	Support Block	1	14E206	1000311
121	O-Ring, Buna, 0.208 x 0.07 in (pkg. 3)	2	7E129	1001434
122	O-Ring, Buna, 0.176 x 0.07 in (pkg. 3)	3	K180	1028632
123 (4)	O-Ring, Buna, 1.296 x 0.139 in (pkg. 2)	1	14E208	1000313
124 (1)	Lower Drive Gear	1	4E36	1000833
125 (1)	Lower Drive Roll, 1/8 - 11 Ga.	1	4E35-18	1000832
126 (2)(3)	Lower Drive Gear, 3/16 - 1/8	1	5E36	1001104
127 (2)(3)	Lower Drive Roll, 3/16 - 1/8	1	5E35-316	1001103
128	Oil Sight Plug	1	11E10	1000135
129	O-Ring Buna 0.551x0.07 in	1	11E49	1000175
130	Central Housing (incl. items 122 & 131-135)	1	14E59	1000318
131	Housing Pump	1	4E60	1000845
132	Screw, 6-32 X 9/32 (pkg. 5)	2	11E61	1030599
133	Lock Washer (pkg. 6)	2	4E62	1000847
134	Dowel Pin	2	4E63	1000848
135	O-Ring Buna 0.351x0.072 in	1	2KT13	1000503
Optional Drive Rolls				
136	Upper Drive Roller (Small Ga.)	—	12E32-18G	1000265
137	Lower Drive Roll 15 Ga.	—	4E35-15	1000831

1. 16E
2. 16E-H & 16E-HT
3. 16E-P
4. Not used on 16E-HT. See "Manual Wire Grip Mechanism" on page 17.

2.6 Speed Control and Turbine



PL 96151 EN 09 Released on: 11/29/2018

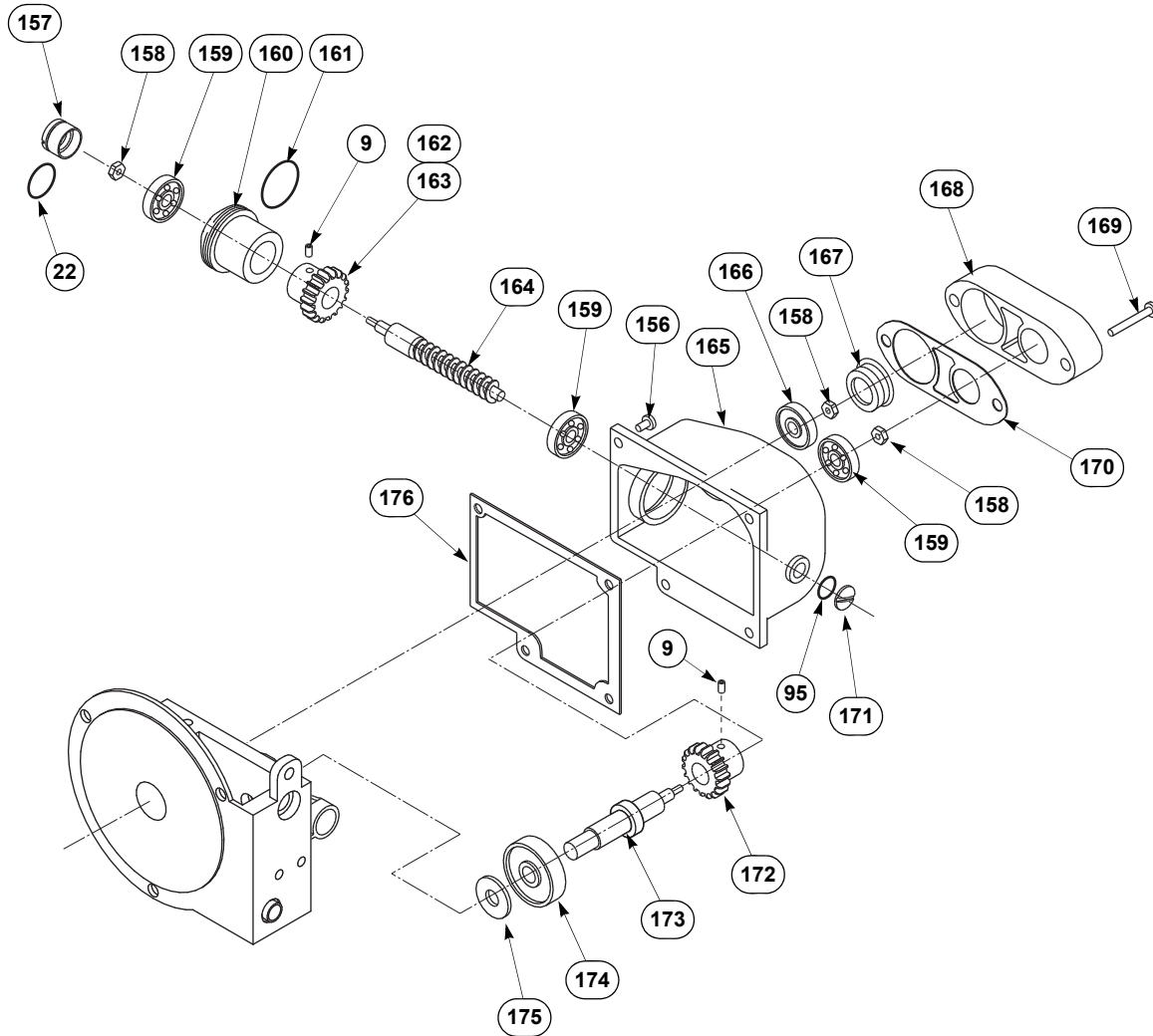
16e_wire_drive



Item No.	Description	Qty.	Catalog No.	Order No.
9	Hex Set Screw, M4 X 5	1	11E67	1000184
95	O-Ring, Buna-N, 0.301 X 0.070 (pkg. 2)	1	L186	1002023
138	Plug	1	11E50	1000177
139	Screw, M3 X 5 (pkg. 5)	3	11E89	1000209
140	Nameplate	1	16E49570	1070438
141	Detent Spring	1	4E87	1000859
142	Control Ring	1	8E85	1001578
143	Turbine Cover	1	14E77	1000321
144	Spider Assembly	1	8E86	1001579
145	Shaft Bearing Retainer Nut	1	12E102	1000244
146	Finger Spring	1	8E64	1001574
147	Bearing	1	4E73	1000854
148	Washer	1	8E74	1001575
149	Brake Disc Return Spring	1	4E76	1000855
150	Disc Brake	1	8E78	1001576
151	Turbine Rotor	1	12E54	1000269
152	Turbine Seal	1	14E58074	1042894
153	O-Ring, Buna, 0.489 x 0.07 in (pkg. 6)	1	2M195	1000518
154 ⁽¹⁾⁽²⁾	Turbine Shaft, Standard	1	12E92-S	1000294
155 ⁽³⁾	Turbine Shaft, High Speed	1	12E92-H	1000293
156	Screw, M5 X 8 (pkg. 10)	3	11E53	1000178

1. 16E
2. 16E-P
3. 16E-H & 16E-HT

2.7 Countershaft, Drive Shaft and Bearings



PL 96151 EN 09 Released on: 11/29/2018

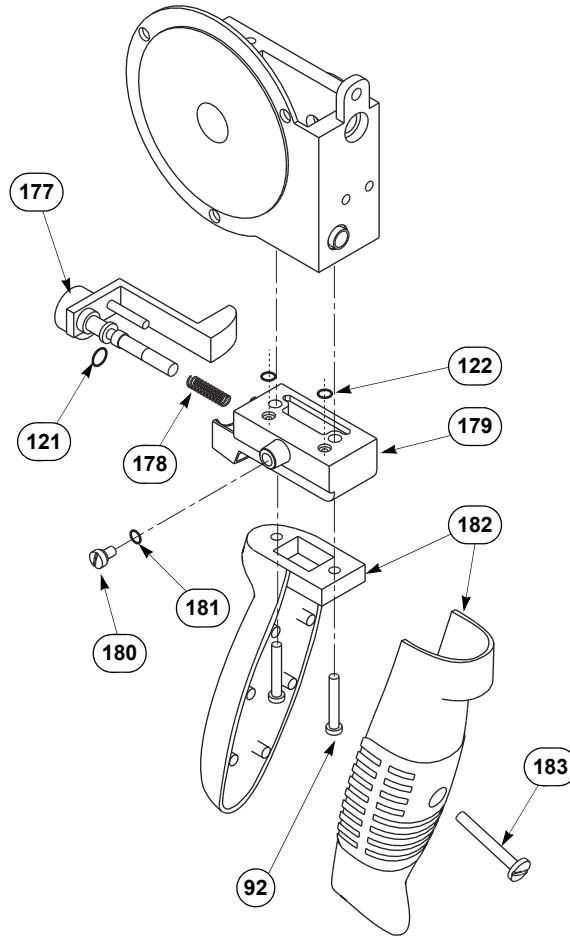
16e_countershaft



Item No.	Description	Qty.	Catalog No.	Order No.
9	Hex Set Screw, M4 X 5	1	11E67	1000184
22	O-Ring, Black Viton, 0.676 x 0.07 in (pkg. 4)	1	11E14	1000143
95	O-Ring, Buna-N, 0.301 X 0.070 (pkg. 2)	1	L186	1002023
156	Screw, M5 X 8 (pkg. 10)	4	11E53	1000178
157	Countershaft Plug	1	4E52	1000843
158	Nut, M5 X 0.80mm (pkg. 5)	3	11E84	1000207
159	Ball Bearing	3	4E83	1000857
160	Countershaft Bearing Retainer	1	4E51	1000842
161	O-Ring, Buna, 0.864 x 0.07 in (pkg. 3)	1	10E46	1000100
162 ⁽¹⁾⁽²⁾	Countershaft Gear, Standard	1	12E93-S	1000296
163 ⁽³⁾	Countershaft Gear, High Speed	1	12E93-H	1000295
164	Countershaft	1	11E91	1000210
165	Gear Cover	1	14E56	1000317
166	Ball Bearing	1	14E220	1000315
167	Bearing Follower	1	14E221	1015527
168	Bearing Cover	1	8E47	1005345
169	Screw, M5 X 20mm (pkg. 2)	2	14E34884	1064020
170	Bearing Cover Gasket	1	8E48	1001573
171	Plug	1	10E57	1004665
172	Drive Shaft Gear	1	11E66	1000183
173	Drive Shaft	1	11E65	1000182
174	Drive Shaft Bearing	1	4E69	1000852
175	Drive Shaft Seal	1	4E68	1000851
176	Gear Cover Gasket	1	4E55	1000844

1. 16E
2. 16E-P
3. 16E-H & 16E-HT

2.8 Handle and Wire Feed Valve



16e_handle

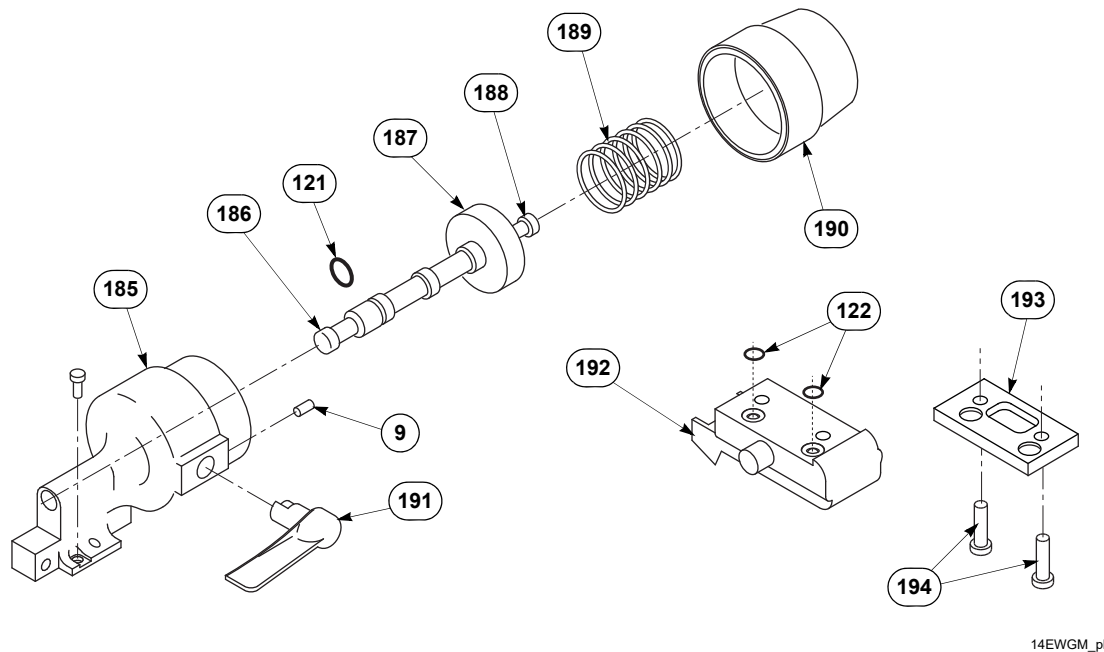
Item No.	Description	Qty.	Catalog No.	Order No.
92	Screw, M5 X 35 (pkg. 5)	2	11E97	1000213
121	O-Ring, Buna, 0.208 x 0.07 in (pkg. 3)	1	7E129	1001434
122	O-Ring, Buna, 0.176 x 0.07 in (pkg. 3)	2	K180	1028632
177 (1)	Valve Shaft	1	11E131	1000141
178 (1)	Valve Shaft Spring	1	9E132	1001615
179 (1)	Valve Block	1	11E150	1000146
180 (1)	Cam Follower (includes item 181)	1	7E133	1001435
181 (1)	O-Ring, Buna, 0.128 x 0.05 in (pkg. 2)	1	7E134	1001436
182	Handle Assembly	1	5P627	1001186
183	Screw, 10-32 X 1-1/4 (pkg. 4)	1	7M27	1032348

1. Not used on 16E-HT. See "Manual Wire Grip Mechanism" on page 17.



2.8.1 Manual Wire Grip Mechanism

The 14EWGM Manual Wire Grip Mechanism is standard on the 16E-HT. It is optional on the 16E, 16E-H and 16E-P. Refer also, to Accompanying Instructions, AI 43627.



14EWGM_pl

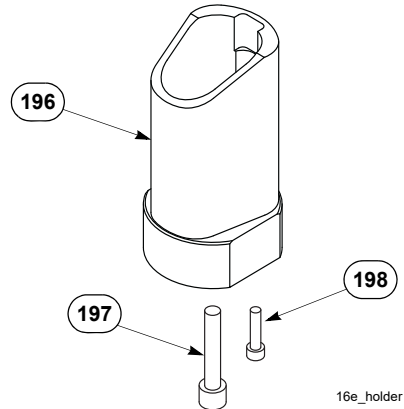
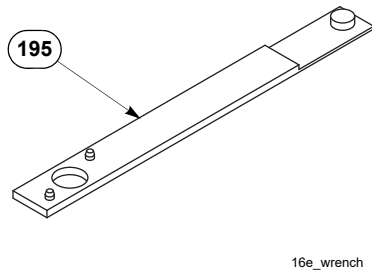
Item No.	Description	Qty.	Catalog. No.	Order No.
184	Wire Grip Mechanism (Includes following items:)		14EWGM	1000324
9	Hex Set Screw, M4 X 5	1	11E67	1000184
121	O-Ring, Buna, 0.208 x 0.07 in (pkg. 3)	1	7E129	1001434
122	O-Ring, Buna, 0.176 x 0.07 in (pkg. 3)	2	K180	1028632
185	Support Block	1	12E139	1004733
186	Push Rod	1	12E123	1004731
187	Cam Follower	1	12E134	1000248
188	Locking Screw	1	12E131	1006348
189	Compression Spring	1	8E152	1005339
190	Spring Cap	1	12E132	1004732
191	Cam Assembly	1	12E135	1000249
192	Handle Spacer Block	1	16E96871	1070403
193	Spacer Plate (14E only; not used on 16E.)	1	14EWGM54947	1065610
194	Screw (14E only; not used on 16E.)	2	11E31	1000167

PL 96151 EN 09 Released on: 11/29/2018

3 Additional Equipment

3.1 Tools and Spares

(Supplied with spray gun.)



Item No.	Description	Qty.	Catalog. No.	Order No.
28	Siphon Plug & Nozzle Reseal Kit (includes items 22, 26 & 27)	1	11E190	1000152
195	Drive Roll And Spanner Tool	1	14E55810	1000316
196	Gun Holder (includes items 197 & 198)	1	16E99163	1072072
197	Screw, M10 X 40 mm	1	02002001040	1054774
198	Screw, M6 X 16 mm (pkg. 4)	4	10MB73	1030553
199	Hex Wrench, 3 mm	1	11E140	1000144
200	Hex Wrench, 2 mm	1	11E102	1000137
201	Hex Wrench, 2.5 mm	1	16E97045	1070402
202	Driver Nut, M5	1	11E100	1000136
203	Wire Cleaning Kit	1	4E114	1000817
204	Round File Lighter	1	4E101	1000813
205	Krytox®	1	16E97041	1070061
206	Gearlube (1oz. Bottle) (pkg. 3)	1	12E110	1000245
207	Ear Plug (2 Plug Package)	6	DJ292	1001833
208	Eye Protectors, Shade 5 Lens	1	10E193	1000097
209	Earmuff-Hearing Protectors	1	DJ294	1035521

PL 96151 EN 09 Released on: 11/29/2018



3.2 Optional Equipment

Item No.	Description	Qty.	Catalog. No.	Order No.
210	Gas Head Valve Reseal Kit (includes the following items:)	—	12E184	1000254
22	O-Ring, Black Viton, 0.676 x 0.07 in	1	11E14	1000143
83	O-Ring, Black Viton, 0.489 x 0.07 in	7	2-014V	1000359
84	O-Ring, Black Viton, 0.426 x 0.07 in	1	7M51	1001493
95	O-Ring, Buna-N, 0.301 X 0.070	1	L186	1002023
97	O-Ring, PU, 0.239 x 0.70 in	1	3K305	1000656
98	O-Ring, Black Viton, 0.176 x 0.07 in	2	3K306	1000657
100	O-Ring, Buna, 0.239 x 0.07 in	2	4EFC56	1000861
211	Wire Feed Lubricator Pads	—	LCAE56094	1002029
212	Turbine Cover Repair Kit (includes the following items:)	—	14ERK	1031432
213	Gasket Sealant (4 fl. oz. Can)	1	14E54950	1031434
143	Turbine Cover	1	14E77	1000321
147	Bearing	1	4E73	1000854
165	Gear Cover	1	14E56	1000317
166	Ball Bearing	1	14E220	1000315
170	Bearing Cover Gasket	1	8E48	1001573
175	Drive Shaft Seal	1	4E68	1000851
176	Gear Cover Gasket	1	4E55	1000844
Spray Gun Extensions				
	6" Extension (Refer to MAN 43608.)	—	5XT	1001263
	1 – Foot Extension (Refer to MAN 41526.)	—	3XT-1	1000762
	2 – Foot Extension (Refer to MAN 41526.)	—	3XT-2	1000771
	3 – Foot Extension (Refer to MAN 41526.)	—	3XT-3	1000776

3.3 Hoses, Adapters and Flashback Arrestors

(Ordered separately.)

Item No.	Description	Qty.	Catalog. No.	Order No.
214	6H Hose Package (4.6 m / 15') (4GF/4AF to gun)	—	6H	1001317
215	Twin Oxygen and Acetylene Hose (Green/Red)	1	6H40	1001318
216	Air Hose (Black)	1	6H50	1001319
217	6HEX Hose Package (4.6 m / 15') (4GF/4AF to gun)	—	6HEX	1001320
218	Oxygen Hose (Blue)	1	6HEX54978	1001321
219	Fuel Hose (Red)	2	6HEX55000	1001322
216	Air Hose (Black)	1	6H50	1001319
220	7H Hose Package (10.7 m / 35') (4GF/4AF to gun)	—	7H	1033681
221	Twin Oxygen and Acetylene Hose (Green/Red)	1	7H40	1032254
222	Air Hose (Black)	1	7H50	1001451
223	7HEX Hose Package (10.7 m / 35') (4GF/4AF to gun)	—	7HEX	1001453
224	Oxygen Hose (Blue)	1	7HEX54984	1001454
225	Fuel Hose (Red)	2	7HEX55001	1001455
226	Air Hose (Black)	1	7H50	1001451
227	8H Hose Package (1.2 m / 4') (regulators to 4GF)	—	8H	1032414
228	Oxygen Hose	1	GF5	1022314
229	Fuel Gas Hose	1	GF6	1022315
230	8HEX Hose Package (1.2 m / 4') (regulators to 4GF)	—	8HEX	1001581
231	Oxygen Hose (Blue)	1	8HEX54992	1020473
232	Fuel Hose (Red)	2	8HEX54998	1032415
233 ⁽¹⁾	Fuel Hose (Orange; made to order) (flowmeter to 7HEX)	—	11HEX51292CTO-XX	1068432
234 ⁽¹⁾	Oxygen Hose (Blue; made to order) (flowmeter to 7HEX)	—	11HEX51287CTO-XX	1068433
235 ⁽¹⁾	Fuel Hose (Black; made to order) (flowmeter to 7HEX)	—	DJF10CTO-XX	1050386
236 ⁽¹⁾	Oxygen Hose (Blue; made to order) (flowmeter to 7HEX)	—	DJF20CTO-XX	1050385
237 ⁽¹⁾	Air Hose (Black; made to order) (flowmeter to 7HEX)	—	PB30CTO-XX	1037169
238 ⁽¹⁾	Oxygen / Air Hose Adapter Fitting, RH	—	14E90183	1068426
239 ⁽¹⁾	Fuel Hose Adapter Fitting, LH	—	14E94547	1068427
240 ⁽¹⁾	Oxygen Flashback Arrestor	—	DJ82	1001857
241 ⁽¹⁾	Fuel Gas Flashback Arrestor	—	DJ81	1001856

1. Used only with 16E-HT.