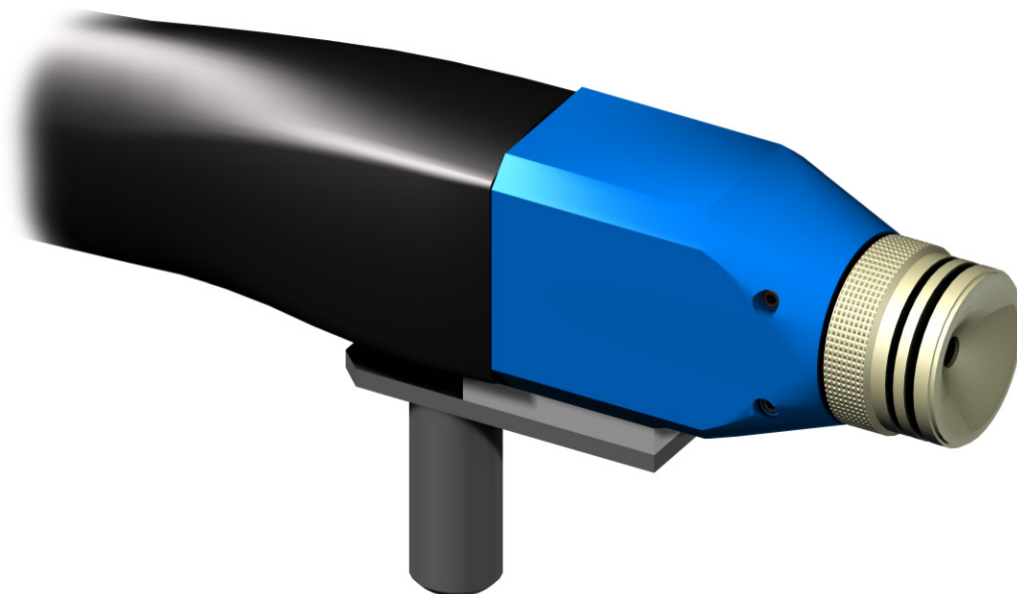


Spraying device LD/Schub 5

Arc spraying

Parts List
PL 96562 EN 07



Oerlikon Metco AG Switzerland

Rigackerstrasse 16

CH-5610 Wohlen

+41 56 618 81 81

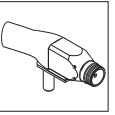
+41 56 618 81 00

www.oerlikon.com/metco



Disclaimer of Warranty

Installing non-Oerlikon Metco spare parts on Oerlikon Metco equipment voids the product warranty.



1 List of recommended spare parts

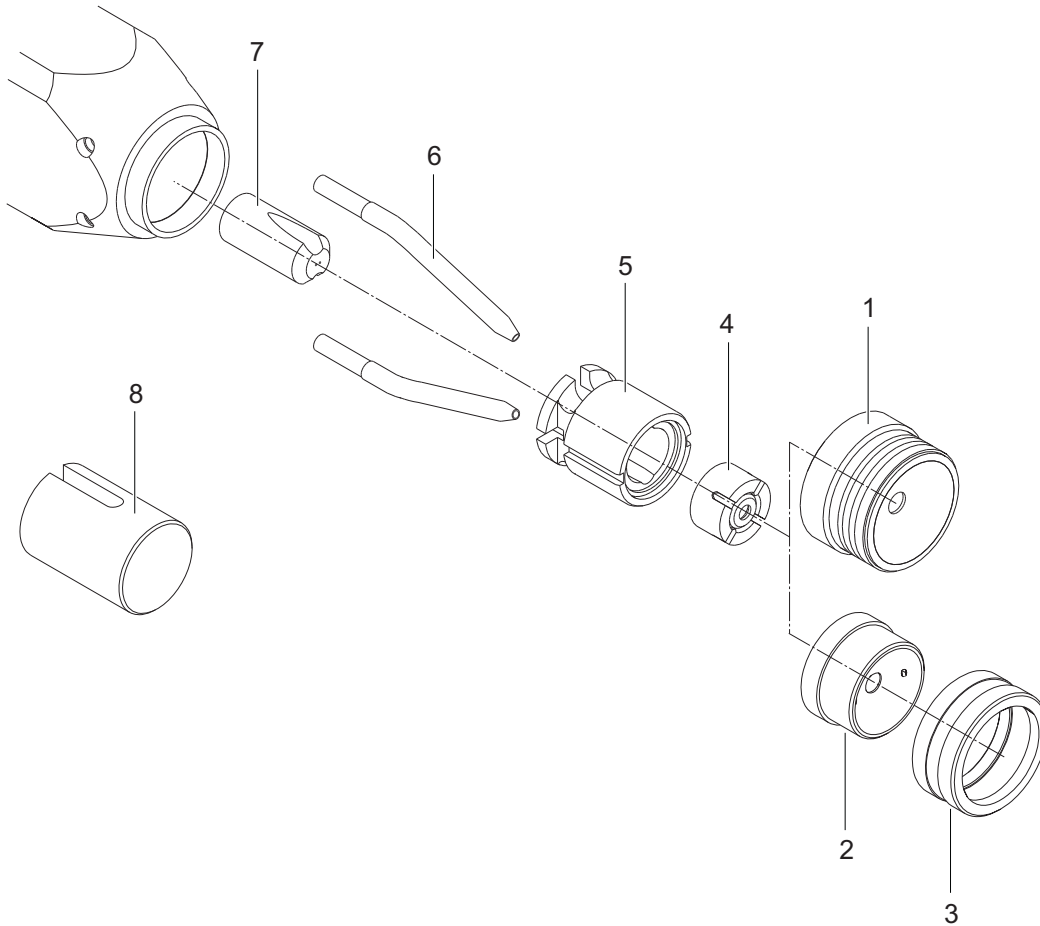
Pos.	Description	Article No.
2.1 Closed Nozzle System (CNS)		
1	Radial nozzle nut	1053272
2	Fan spray nozzle nut	1056107
3	Fan spray nozzle	1053683
4	Gas nozzle Ø 1.6 - 2.0 mm	1056259
	Gas nozzle Ø 2.5 mm	1056257
5	Nozzle adjusting bush	1053271
6	Contact nozzle Ø 1.6 mm	1056118
	Contact nozzle Ø 1.6 mm (for Al)	1056129
	Contact nozzle Ø 2.0 mm	1056120
	Contact nozzle Ø 2.0 mm (for Al)	1056130
	Slot contact nozzle Ø 2.0 mm	1056251
	Contact nozzle Ø 2.5 mm	1056122
	Contact nozzle Ø 2.5 mm (for Al)	1056131
	Slot contact nozzle Ø 2.5 mm	1056252
7	Atomizer nozzle	1053270
2.3 Open Nozzle System (ONS)		
1	Antiglare device	1053239
2	Cover ring PTFE	1053238
	Cover ring HGW (high temperature resistant laminated fabric)	1060918
3	Contact nozzle Ø 1.6 mm	1056118
	Contact nozzle Ø 1.6 mm (for Al)	1056129
	Contact nozzle Ø 2.0 mm	1056120
	Contact nozzle Ø 2.0 mm (for Al)	1056130
	Contact nozzle Ø 2.5 mm	1056122
	Contact nozzle Ø 2.5 mm (for Al)	1056131
4	Atomizer nozzle 1-hole size 9 Ø 1.6 - 2.5 mm	1056137
	Atomizer nozzle 2-hole size 1 Ø 1.6 - 2.0 mm	1056133
	Atomizer nozzle 2-hole size 2 Ø 2.5 mm	1056136

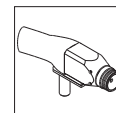
Pos.	Description	Article No.
2.4 Housing ONS		
5	O-Ring 10x1.5 mm	1066172
2.5 Hose Package		
	Wire guide tube 0.4 m Ø 1,6 mm	1061245
	Wire guide tube 0.4 m ≥ Ø 2.0 mm	1056703
	Wire guide tube 1.5 m Ø 1,6 mm	1056723
4	Wire guide tube 1.5 m ≥ Ø 2.0 mm	1056722
	Wire guide tube 2.0 m Ø 1,6 mm	1061222
	Wire guide tube 2.0 m ≥ Ø 2.0 mm	1056730
	Wire guide tube 2.5 m ≥ Ø 2.0 mm	1056733
Operating Resources		
	PTFE-Spray	1016617
	Contact grease	1051843
	Graphite powder	1051844
	Nozzle cleaner	1071616
	Wire cleaning pads (1 set = 6 pc)	1002029



2 Parts list

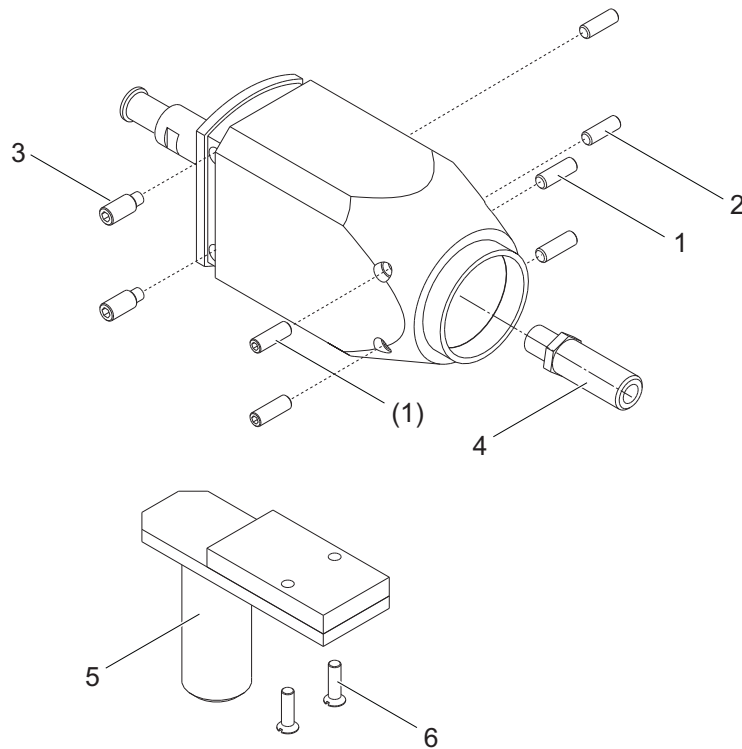
2.1 Closed nozzle system (CNS)





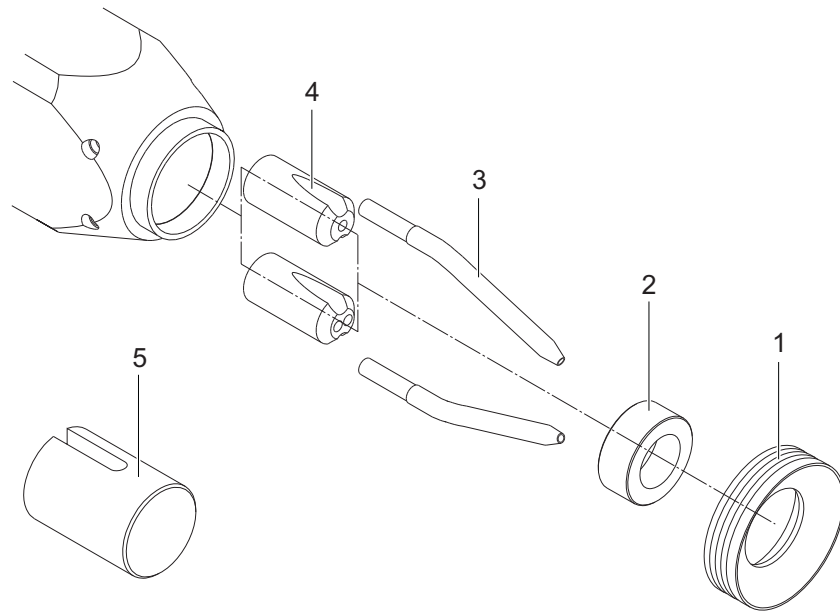
Pos.	Description	Article No.	
1	Radial nozzle nut	1053272	
2	Fan spray nozzle	1053683	
3	Fan spray nozzle nut	1056107	
4	Gas nozzle Ø 1.6 - 2.0 mm	1056259	
	Gas nozzle Ø 2.5 mm	1056257	
5	Nozzle adjusting bush	1053271	
6	Contact nozzle Ø 1.6 mm	1056118	
	Contact nozzle Ø 1.6 mm (for Al)	1056129	
	Contact nozzle Ø 2.0 mm	1056120	
	Contact nozzle Ø 2.0 mm (for Al)	1056130	
	Slot contact nozzle Ø 2.0 mm	1056251	
	Contact nozzle Ø 2.5 mm	1056122	
	Contact nozzle Ø 2.5 mm (for Al)	1056131	
	Slot contact nozzle Ø 2.5 mm	1056252	
	7	Atomizer nozzle	1053270
	8	Nozzle adjusting device	1053252

2.2 Housing CNS



Pos.	Description	Article No.
	Housing LD/Schub 5 CNS (incl. Pos. 1 - 4)	1056479
1, 2	Hexagon socket set screw M6x20 DIN913 45H	1064045
3	Hexagon socket set screw M8x15 DIN915 45H	1066107
4	Air nozzle tube CNS	1053375
5	Clamping holder	1056384
6	Countersunk screw M5x15 DIN7991 sw	1066148

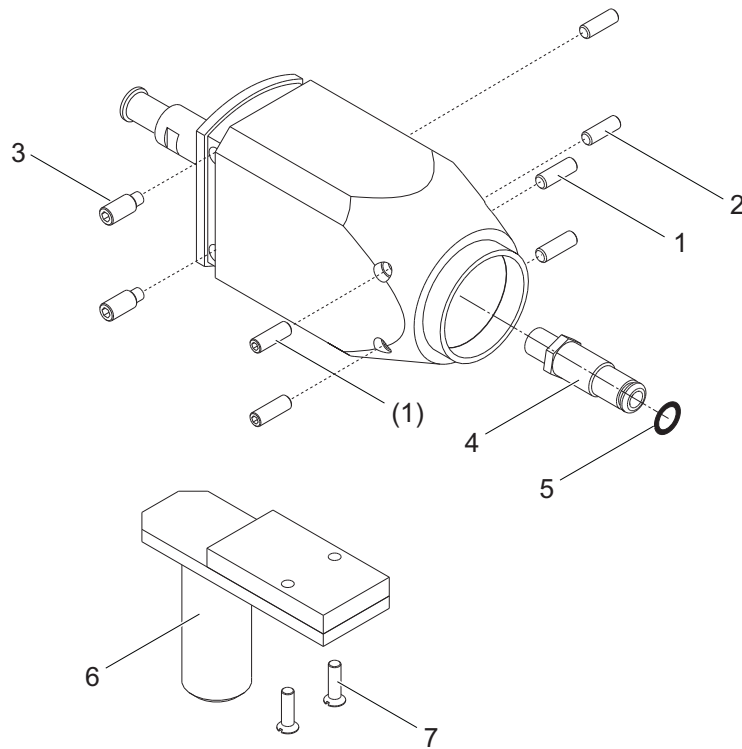
2.3 Open nozzle system (ONS)



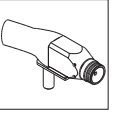
Pos.	Description	Article No.
1	Antiglare device	1053239
2	Cover ring PTFE	1053238
	Cover ring HGW (high temperature resistant laminated fabric)	1060918
3	Contact nozzle Ø 1.6 mm	1056118
	Contact nozzle Ø 1.6 mm (for Al)	1056129
	Contact nozzle Ø 2.0 mm	1056120
	Contact nozzle Ø 2.0 mm (for Al)	1056130
	Contact nozzle Ø 2.5 mm	1056122
	Contact nozzle Ø 2.5 mm (for Al)	1056131
4	Atomizer nozzle 1-hole size 9 Ø 1.6 - 2.5 mm	1056137
	Atomizer nozzle 2-hole size 1 Ø 1.6 - 2.0 mm	1056133
	Atomizer nozzle 2-hole size 2 Ø 2.5 mm	1056136
5	Nozzle adjusting device	1053252

PL 96562 EN 07 Released on: 02.06.2015

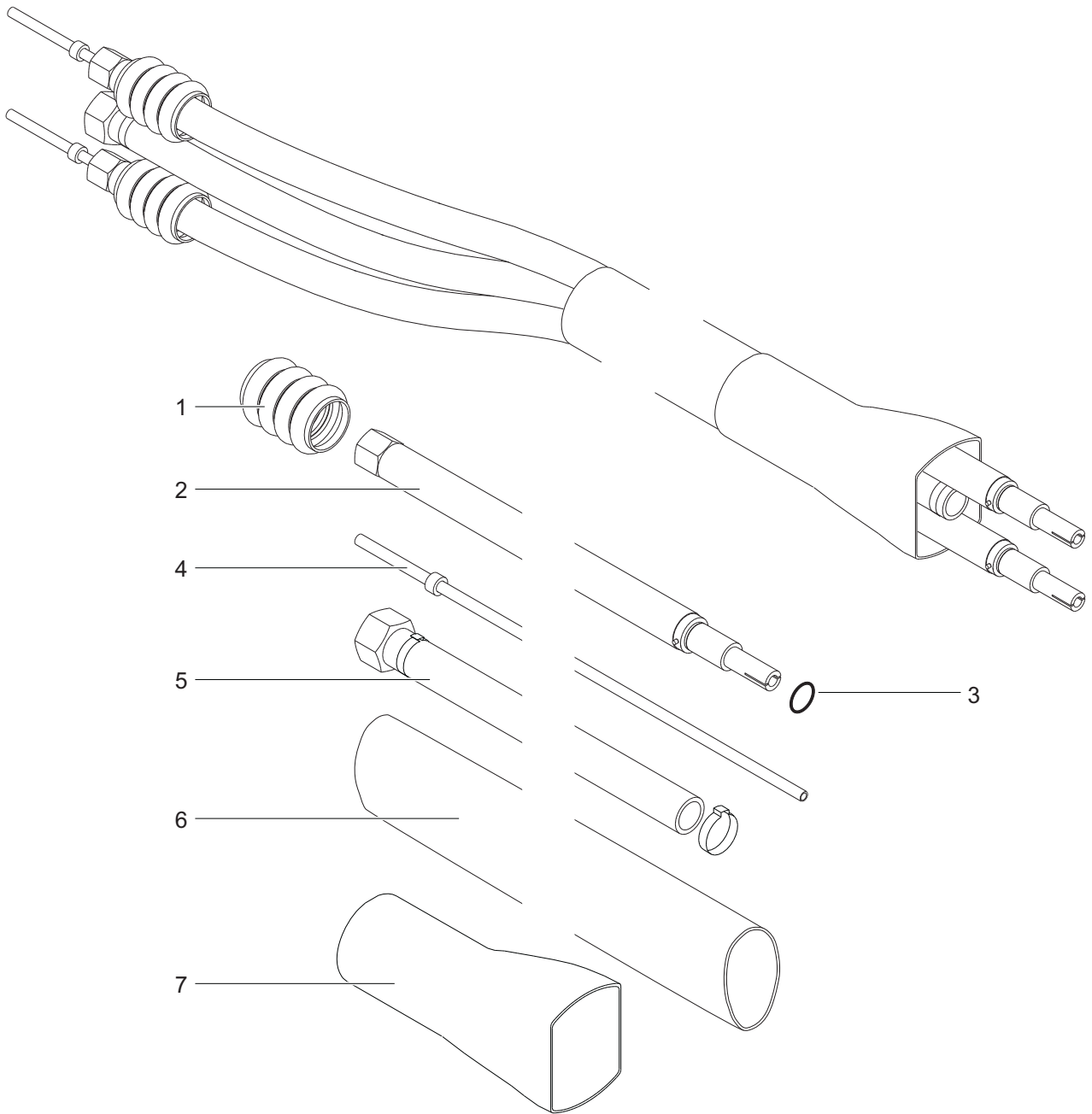
2.4 Housing ONS

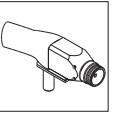


Pos.	Description	Article No.
	Housing LD/Schub 5 ONS (incl. Pos. 1 - 5)	1056480
1, 2	Hexagon socket set screw M6x20 DIN913 45H	1064045
3	Hexagon socket set screw M8x15 DIN915 45H	1066107
4	Air nozzle tube ONS (incl. Pos. 5)	1053771
5	O-Ring 10x1.5 mm	1066172
6	Clamping holder	1056384
7	Countersunk screw M5x15 DIN7991 sw	1066148



2.5 Hose package





Pos.	Description	Article No.
	Hose package compl. 0.4 m Ø 1.6 mm	1059703
	Hose package compl. 0.4 m ≥ Ø 2.0 mm	1059694
	Hose package compl. 1.5 m Ø 1.6 mm	1061385
	Hose package compl. 1.5 m ≥ Ø 2.0 mm	1057173
	Hose package compl. 2.0 m Ø 1.6 mm	1061759
	Hose package compl. 2.0 m ≥ Ø 2.0 mm	1057175
	Hose package compl. 2.5 m ≥ Ø 2.0 mm	1057176
1	Bellow (for current/air hose)	1052392
	Current/air hose 0.4 m (incl. Pos. 3)	1056701
2	Current/air hose 1.5 m (incl. Pos. 3)	1056720
	Current/air hose 2.0 m (incl. Pos. 3)	1056728
	Current/air hose 2.5 m (incl. Pos. 3)	1056732
3	O-Ring NBR 14x2mm	1072333
	Wire guide tube 0.4 m Ø 1,6 mm	1061245
	Wire guide tube 0.4 m ≥ Ø 2.0 mm	1056703
	Wire guide tube 1.5 m Ø 1,6 mm	1056723
4	Wire guide tube 1.5 m ≥ Ø 2.0 mm	1056722
	Wire guide tube 2.0 m Ø 1,6 mm	1061222
	Wire guide tube 2.0 m ≥ Ø 2.0 mm	1056730
	Wire guide tube 2.5 m ≥ Ø 2.0 mm	1056733
	Atomized air hose 0.4 m	1076858
5	Atomized air hose 1.5 m	1056724
	Atomized air hose 2.0 m	1056731
	Atomized air hose 2.5 m	1064693
6	External hose 45x1.5 mm (material sold by the meter)	1053518
7	Protective Bellow (for hose package)	1053095

PL 96562 EN 07 Released on: 02.06.2015

