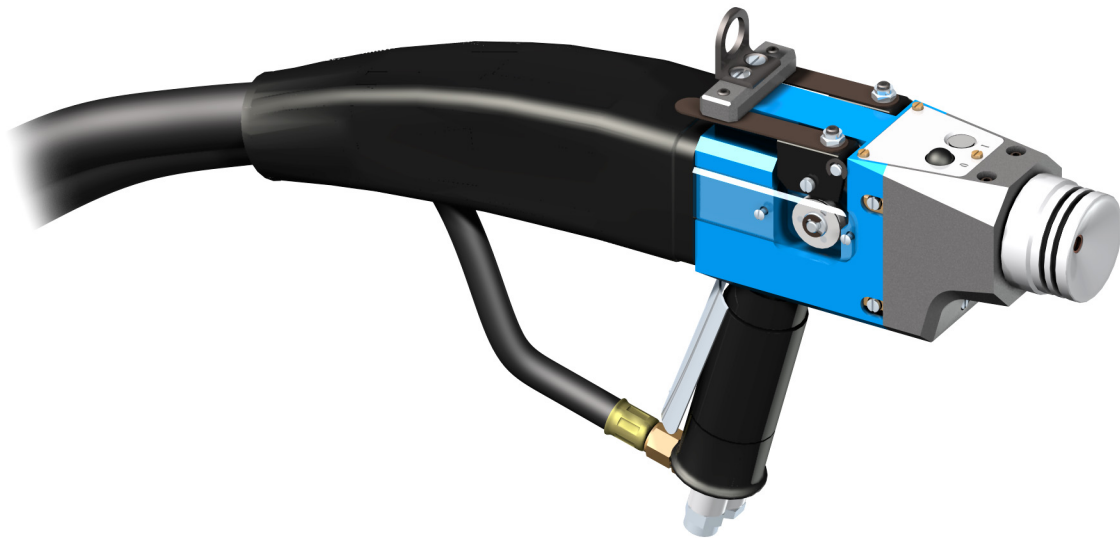


Spraying device LD/U3

Arc spraying

Parts List


PL 96939 EN 09




Oerlikon Metco Switzerland

Rigackerstrasse 16

CH-5610 Wohlen

 +41 56 618 81 81

 +41 56 618 81 00

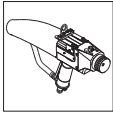
www.oerlikon.com/metco



Warranty Disclaimer

Installing non-Oerlikon Metco spare parts on Oerlikon Metco equipment voids the product warranty.

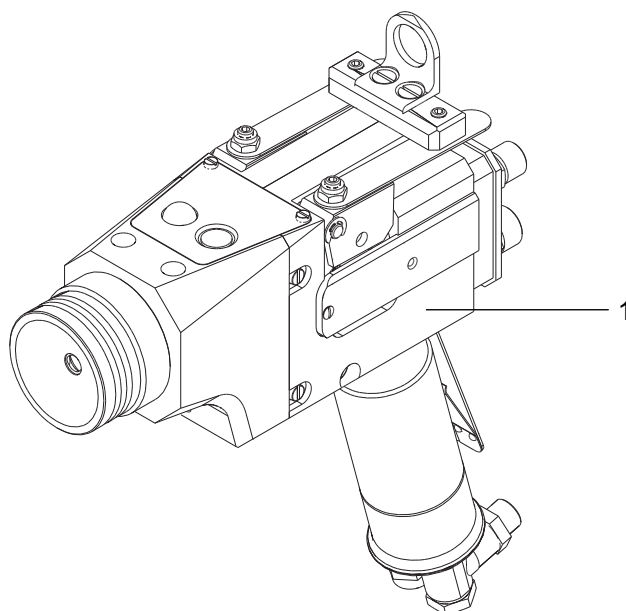
1 List of recommended spare parts



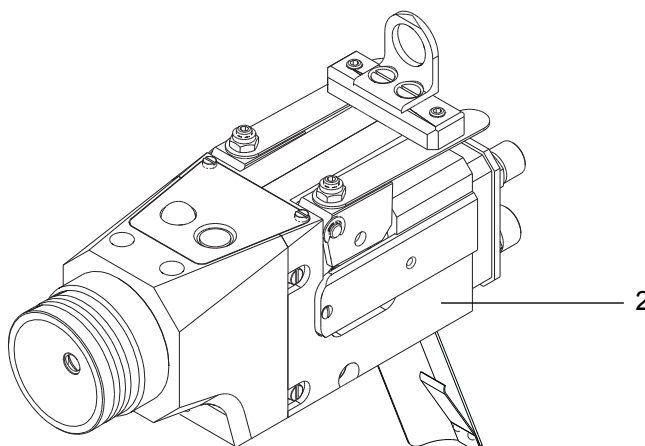
Pos.	Designation	Article No.
2.2 Hose package		
1	Insulated wire guide hose 8 m	1056698
	Insulated wire guide hose 10 m	only for ECO ARC 350 1056684
2.4 Components of nozzle system		
1	Radial nozzle nut	1053738
2	Fan spray nozzle nut	1053684
3	Fan spray nozzle	1053683
4	Gas nozzle size 4	Ø 2.5 mm 1056257
5	Cover ring (closed nozzle system)	1053736
6	Contact nozzle	Ø 2.5 mm for Al 99+ 1056131
	Slot contact nozzle	Ø 2.5 mm 1056252
7	Atomizer nozzle 2-hole	1053737
2.7 Wire feed unit		
2	Drive roll knurled profile	Ø 2.5 mm 1056586
	Drive roll spline profile	Ø 2.5 mm for Al 99+ 1056582
8	Worm wheel	1053714
2.8 Wire contact pressure unit		
8	Deep groove ball bearing 608-2RS	1055412
2.9 Air motor with drive shaft		
	Drive complete	for ECO ARC 350 1053784
	Drive complete	for ECO ARC 600 1056591
Operating resources		
	PTFE spray	1016617
	Air motor oil	1055104
	Contact grease	1051843
	Graphite powder	1051844
	Nozzle cleaner	1071616
	Wire cleaning pads	(pkg of 6) 1002029

2 Parts list

2.1 Spraying device LD/U3 complete (without hose package)

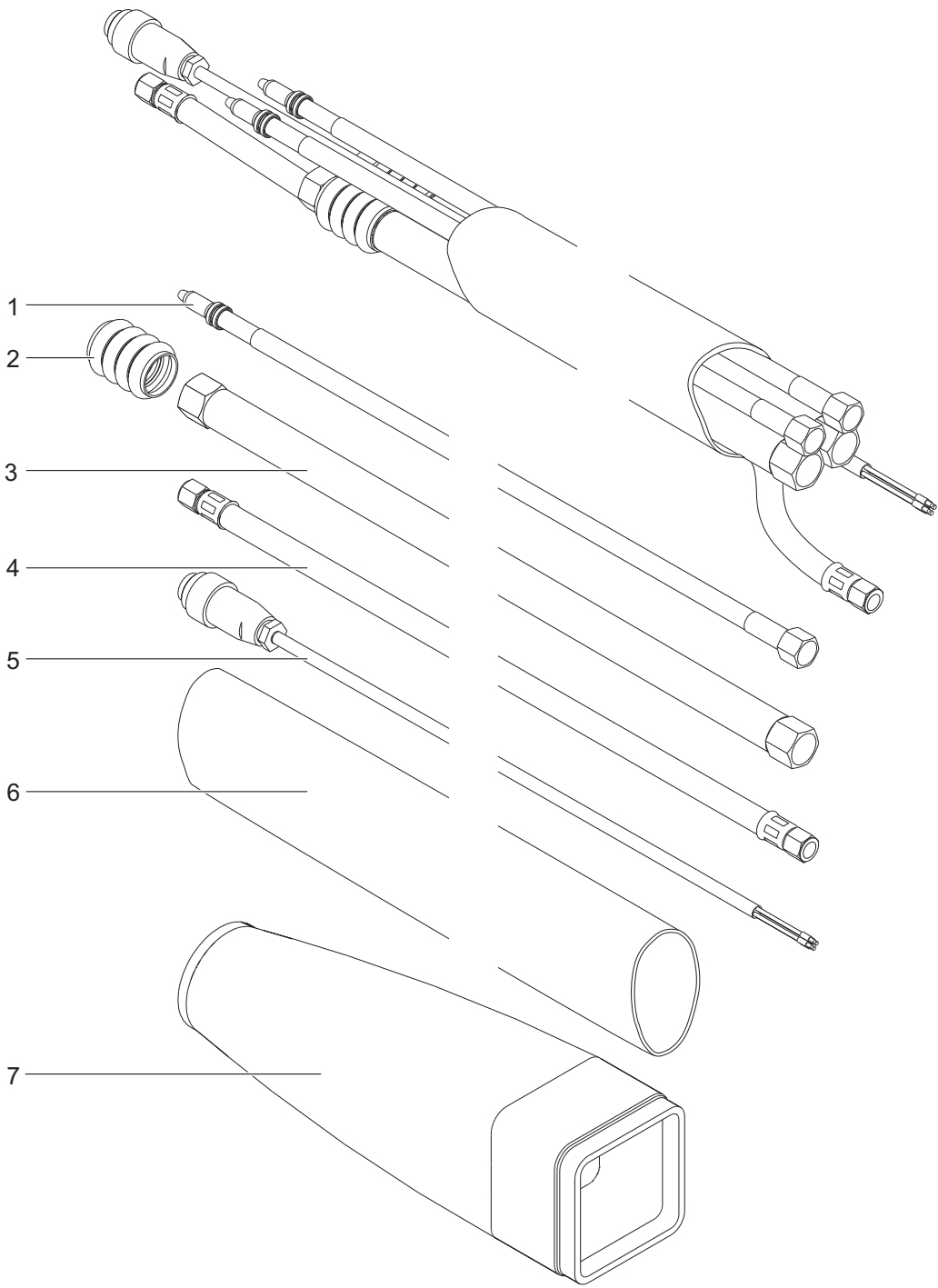
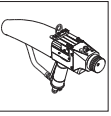


Pos.	Designation	Article No.
1	LD/U3 Round spray for ECO ARC 350 Ø 2.5 mm	1062504
	LD/U3 Round spray for ECO ARC 350 Ø 2.5 mm for Al 99+	1062506
	LD/U3 Round spray for ECO ARC 600 Ø 2.5 mm	1063287
	LD/U3 Round spray for ECO ARC 600 Ø 2.5 mm for Al 99+	1063289



Pos.	Designation	Article No.
2	LD/U3 Round spray	Ø 2.5 mm 1066811

2.2 Hose package



PL 96939 EN 09 Historical Version on: 03/07/2019

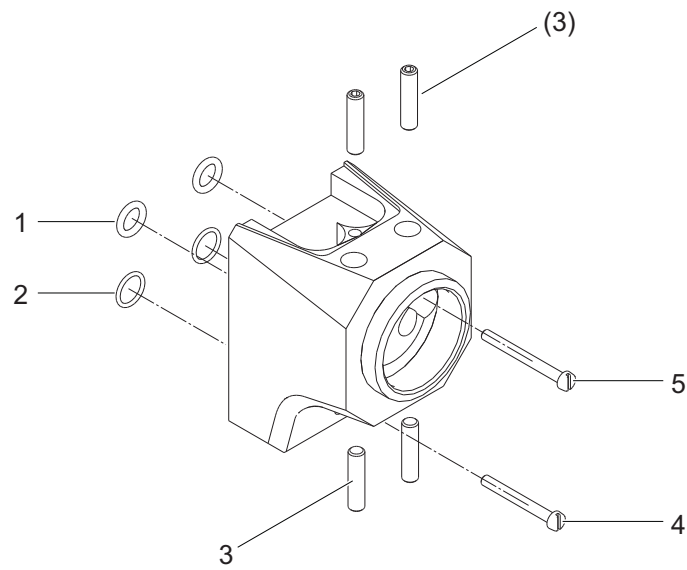
Pos.	Designation	Article No.
	Hose package complete 8 m <i>incl. Pos. 1 - 7</i>	1057163
	Hose package complete 10 m only for ECOARC 350 <i>incl. Pos. 1 - 7</i>	1057155
	Hose package complete 15 m only for ECOARC 350 <i>incl. Pos. 1 - 7</i>	1057157
1	Insulated wire guide hose 8 m	1056698
	Insulated wire guide hose 10 m	1056684
	Insulated wire guide hose 15 m	1056689
2	Bellows current-air connection	1052392
3	Current-air hose 8 m	1056665
	Current-air hose 10 m	1056622
	Current-air hose 15 m	1056633
4	Air motor hose 8 m	1056699
	Air motor hose 10 m	1056686
	Air motor hose 15 m	1085799
5	Control cable 8 m	1056700
	Control cable 10 m	1056687
	Control cable 15 m	1068085
6	External hose 50 x 1.5 mm (material sold by the meter) Order length corresponding to hose package	1053519
7	Protective bellows	1053094



INFO

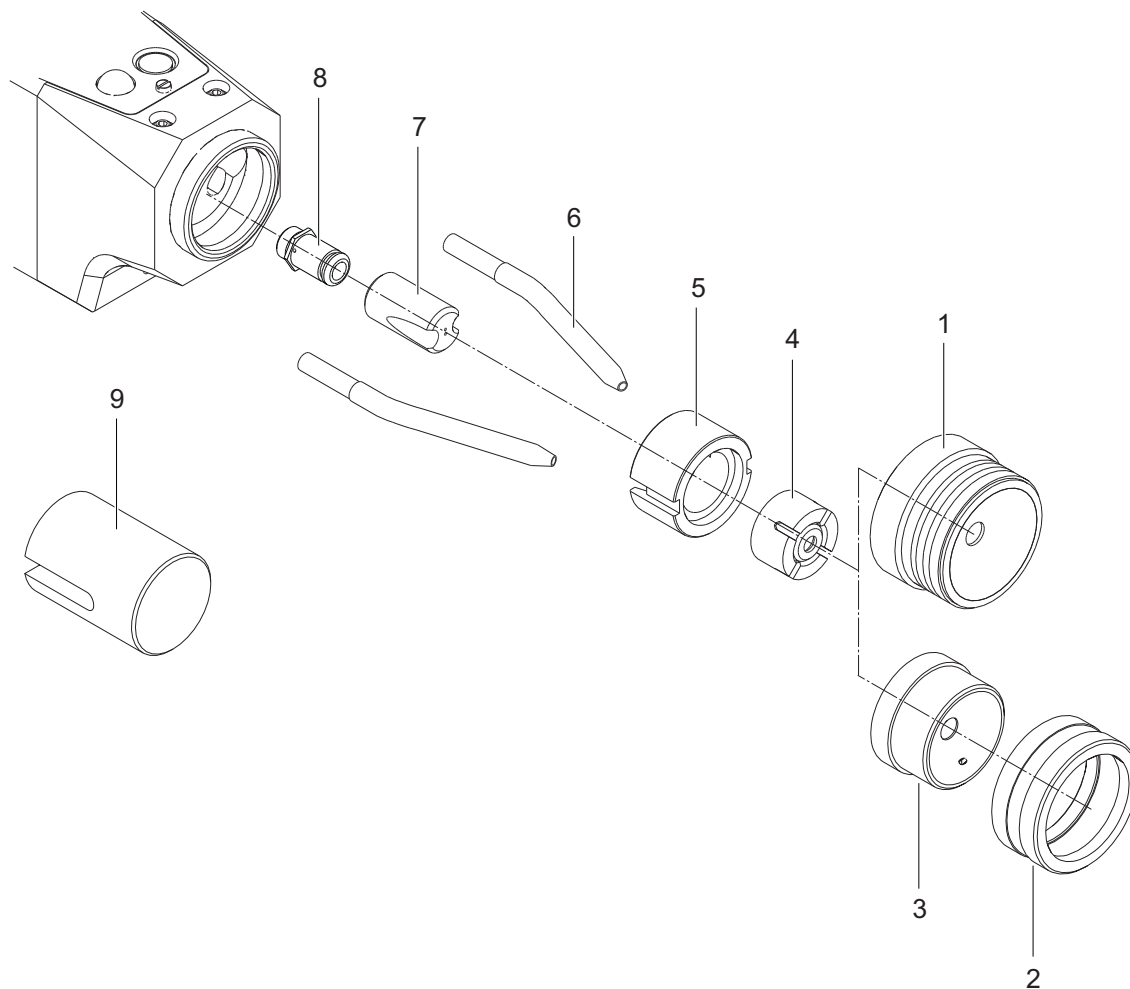
Hose package longer than 8 m must only be used for ECO ARC 350!

2.3 Spray head



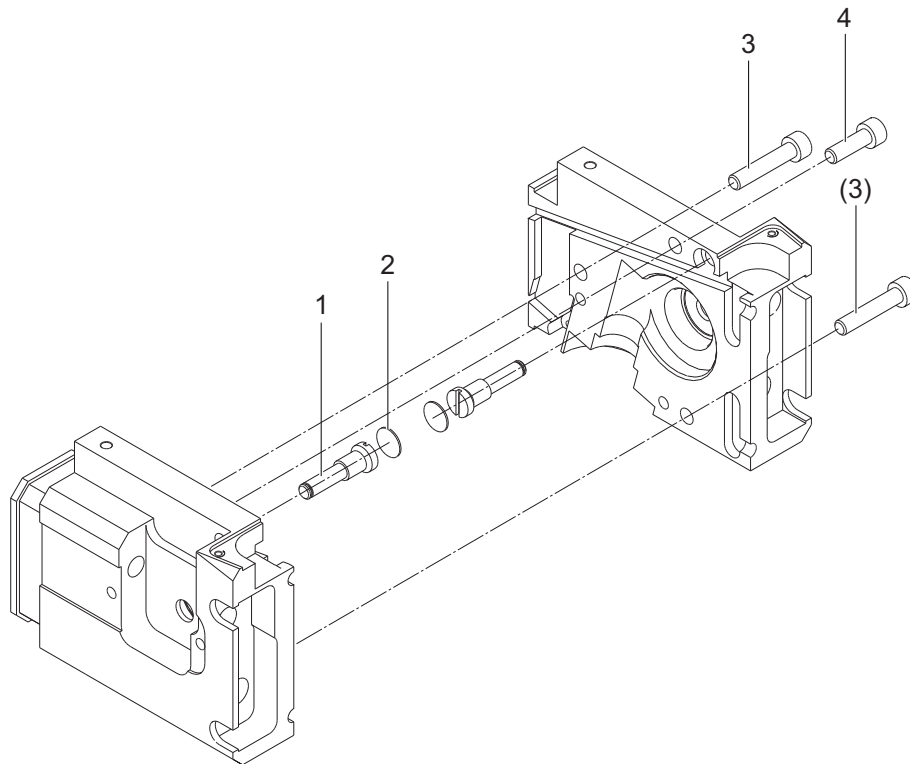
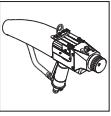
Pos.	Designation		Article No.
	Spray head LD/U3 complete	<i>incl. Pos. 1 - 5</i>	1056580
1	O-Ring NBR 9 x 2.5 mm		1066170
2	O-Ring NBR 11 x 1.5 mm		1066174
3	Set screw M6x25 DIN 913 45H		1066105
4	Fillister head screw M4x35 DIN 84 A 2		1074456
5	Fillister head screw M4x40 DIN 84 A 2		1074457

2.4 Components of nozzle system



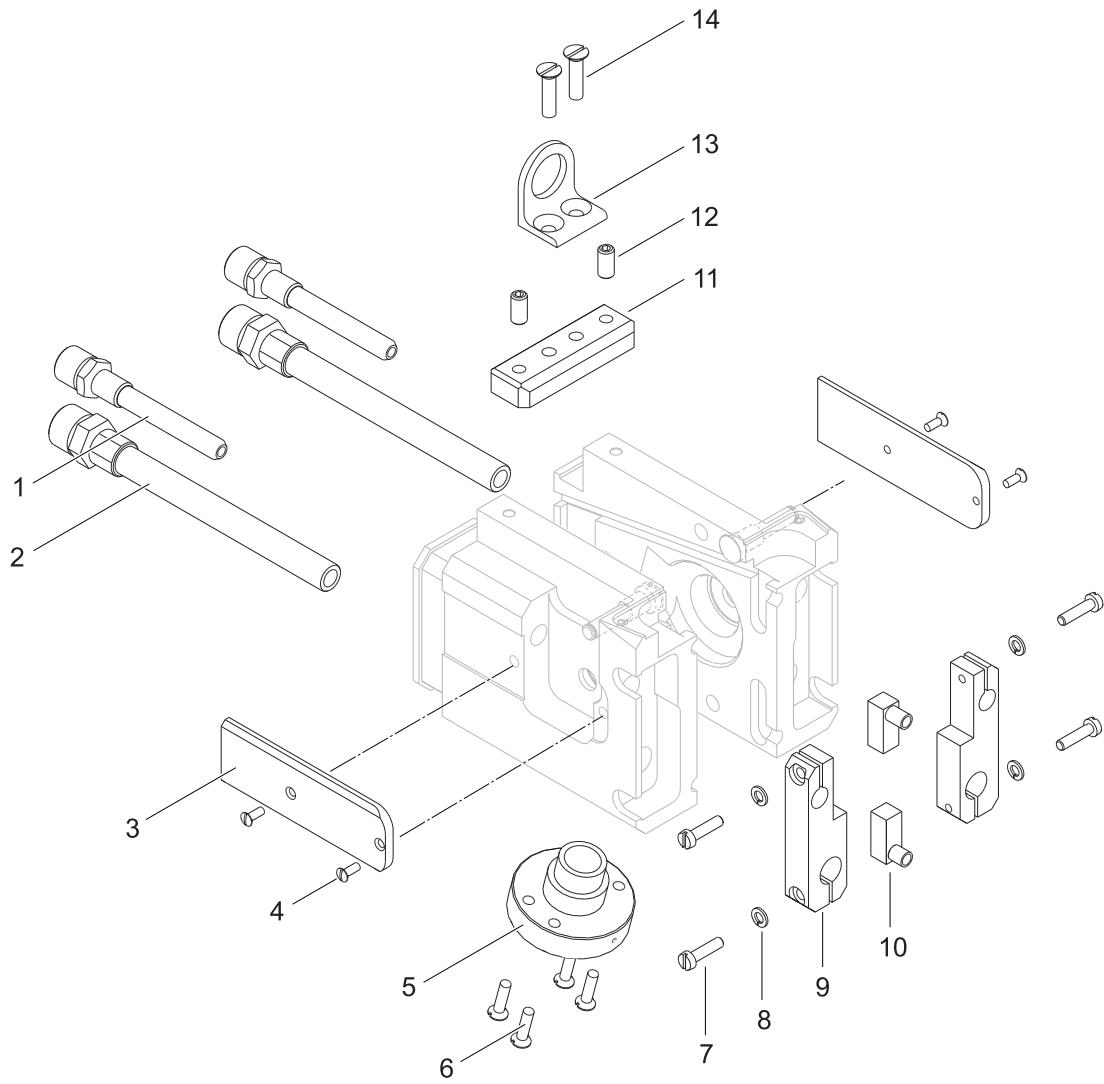
Pos.	Designation	Article No.
1	Radial nozzle nut	1053738
2	Fan spray nozzle nut	1053684
3	Fan spray nozzle	1053683
4	Gas nozzle size 4 Ø 2.5 mm	1056257
5	Cover ring	1053736
6	Contact nozzle Ø 2.5 mm for AI 99+	1056131
	Slot contact nozzle Ø 2.5 mm	1056252
7	Atomizer nozzle	1053737
8	Air nozzle tube	1053727
9	Nozzle adjusting device	1053252

2.5 Gear housing



Pos.	Designation	Article No.
	Gear housing complete	1053781
1	Threaded bolt	1056330
2	Insulating paper	1071970
3	Fillister head screw M6x30 DIN 912 V2A	1066096
4	Fillister head screw M6x16 DIN 912 V2A	-

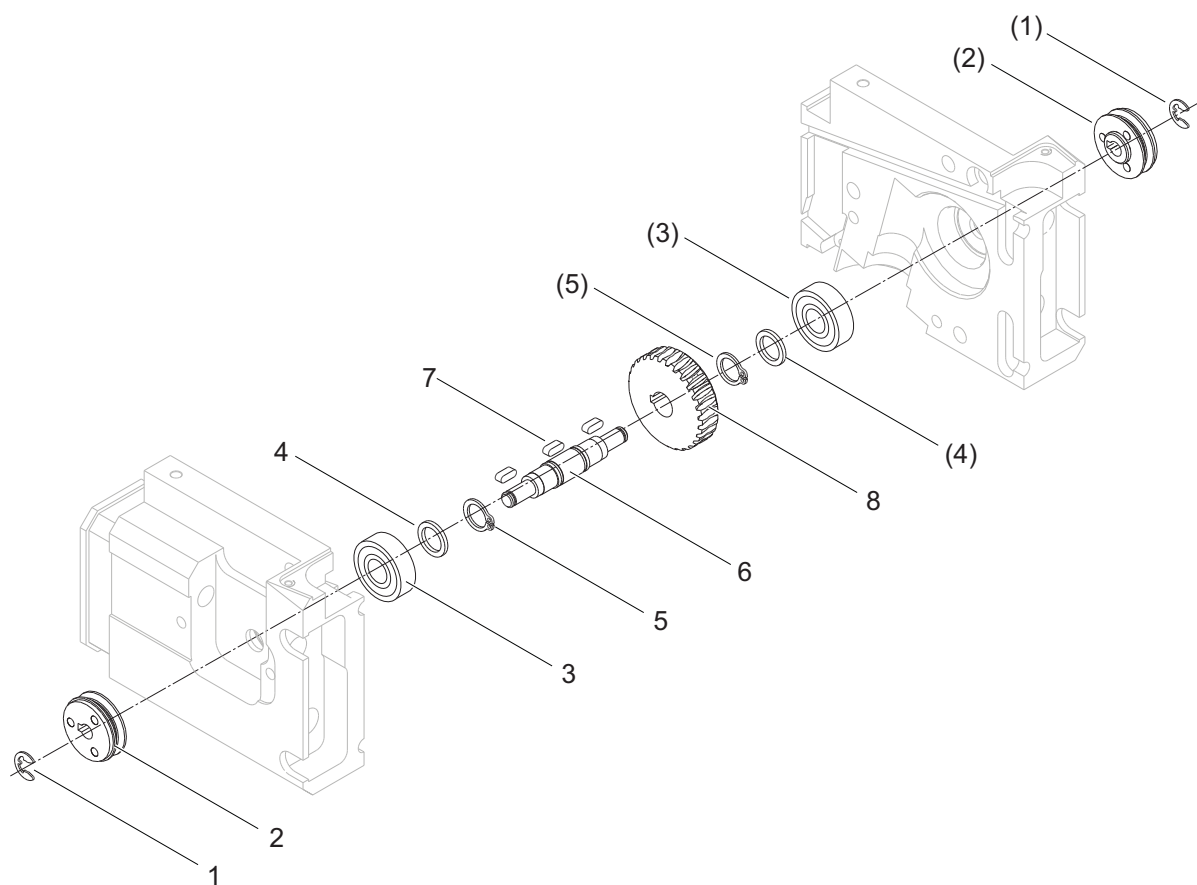
2.6 Components of gear housing





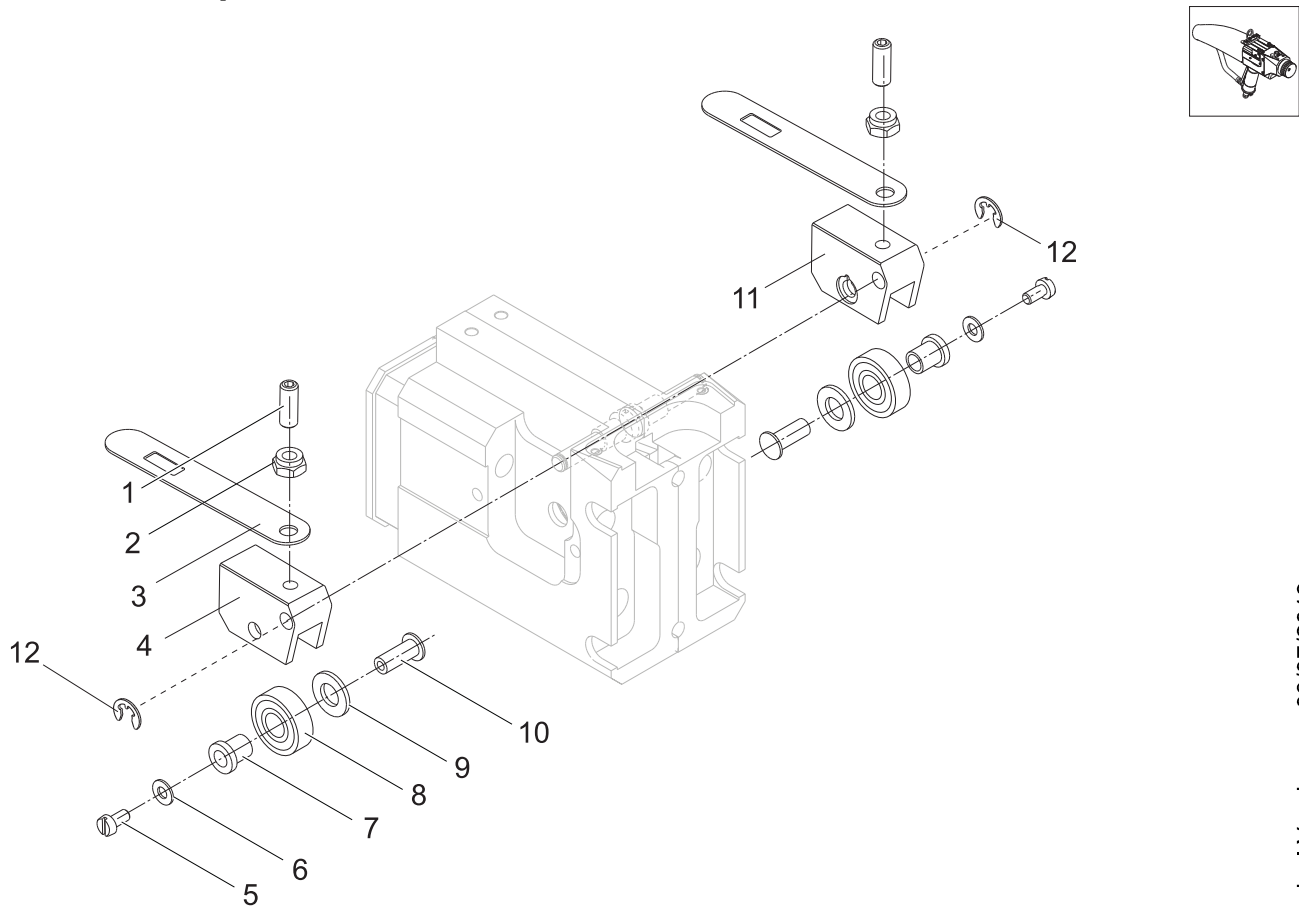
Pos.	Designation	Article No.
1	Wire line	1053724
2	Current-air connection	1053722
3	Cover plate	1053717
4	Raised countersunk head screw M3x8 DIN 964 Ni	1066131
5	Motor disk	1053338
6	Countersunk head screw M4x16 DIN 963 Zn	1066125
7	Fillister head screw M4x16 DIN 84 A2	1066045
8	Circlip A4 DIN 127 Zn	1066075
9	Contact piece	1053716
10	Threaded insert	1054064
11	Fixing plate	1053726
12	Set screw M6x12 DIN 913 45H	1066103
13	Suspension	1053731
14	Countersunk head screw M5x20 DIN 963 Zn	1066126

2.7 Wire feed unit



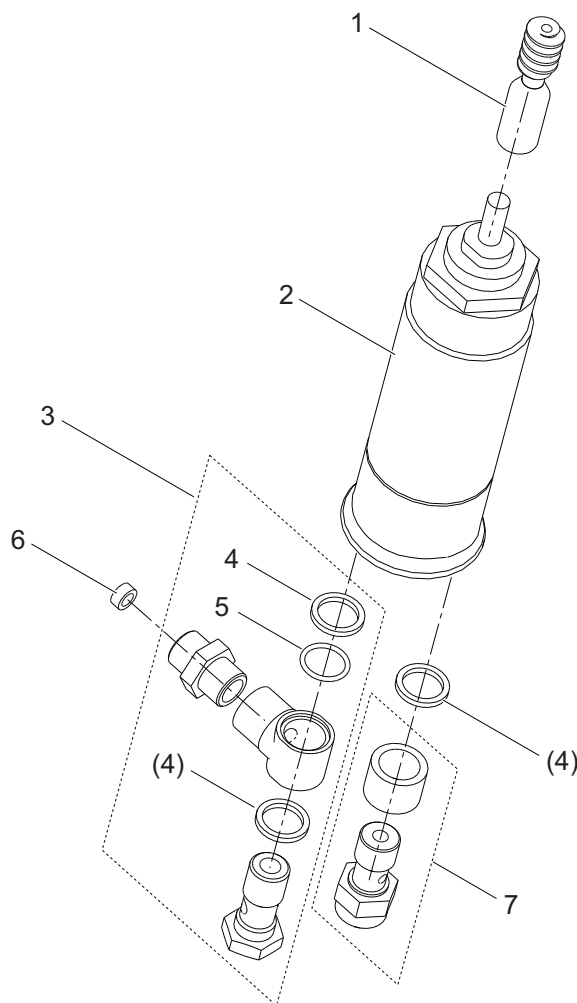
Pos.	Designation	Article No.
	Wire feed unit complete	<i>incl. Pos. 3 - 8</i> 1053783
1	Lock washer RS5 DIN 6799	1066155
2	Drive roll knurled profile Ø 2.5 mm	1056586
	Drive roll spline profile Ø 2.5 mm for Al 99+	1056582
3	Deep groove ball bearing 609-2RS	1055413
4	Distance washer	1053735
5	Circlip A10x1	1066154
6	Wire feed shaft	1053713
7	Feather key 3 x 3 x 9 DIN6885	1066152
8	Worm wheel	1053714

2.8 Wire contact pressure unit



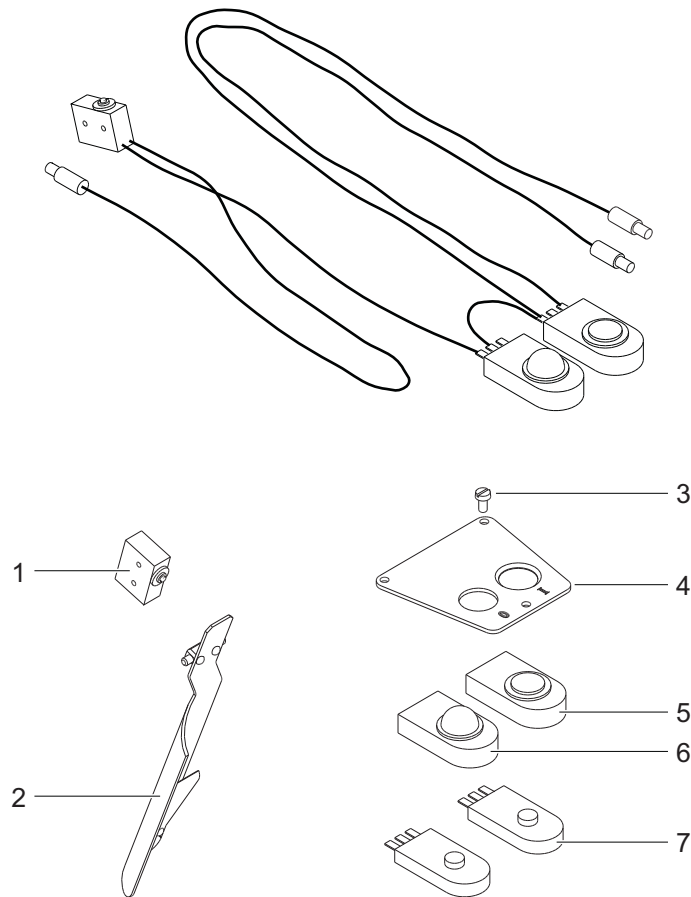
Pos.	Designation		Article No.
	Pressure roll with clamp left complete	<i>incl. Pos. 1 - 3, 5 - 11</i>	1056589
	Pressure roll with clamp right complete	<i>incl. Pos. 1 - 10</i>	1056590
	Pressure roll complete	<i>incl. Pos. 7 - 9</i>	1056588
1	Set screw M6x16 DIN913 45H		1066104
2	Lock nut M6 DIN985 Zn		1066138
3	Pressure spring		1053728
4	Pressure clamp right		1053718
5	Fillister head screw M4x8 DIN84 Zn		1066036
6	Washer M4 DIN125 Zn		1066047
7	Bearing bush		1053734
8	Deep groove ball bearing 608-2RS		1055412
9	Washer M8 DIN125 Ms		1066066
10	Axis		1053721
11	Pressure clamp left		1053719
12	Lock washer RS5 DIN6799		1066155

2.9 Air motor with drive shaft



Pos.	Designation		Article No.	
	Drive complete	for ECO ARC 350	<i>incl. Pos. 1 - 7</i>	1053784
	Drive complete	for ECO ARC 600	<i>incl. Pos. 1 - 7, excl. 6</i>	1056591
1	Worm shaft			1053715
2	Air Motor MD-Z-5300	for ECO ARC 350		1056093
	Air Motor MD-Z-5300 - high speed	for ECO ARC 600		1068382
3	Swivel connector complete		<i>incl. Pos. 4 - 5</i>	1053786
4	Fiber ring 13 x 18 x 1.5			1068376
5	O-Ring NBR 13 x 1.5 mm			1066175
6	Screen (not with ECO ARC 600)			1052412
7	Exhaust throttle GRE G $\frac{1}{4}$ "	for ECO ARC 350		1052252
	Exhaust throttle G $\frac{1}{4}$ "	for ECO ARC 600		1060151

2.10 Switch elements



Pos.	Designation	Article No.
	Switch element ON/OFF complete	<i>incl. Pos. 1, 5 - 7</i>
1	Micro switch (for dead man's control)	1051956
2	Pressure spring (for dead man's control)	1053787
3	Fillister head screw M3x6 DIN84 Ms	1066044
4	Switch plate	1053725
5	Protective cap ON (without knob)	1055137
6	Protective cap OFF (with knob)	1055135
7	Switch	1051957

